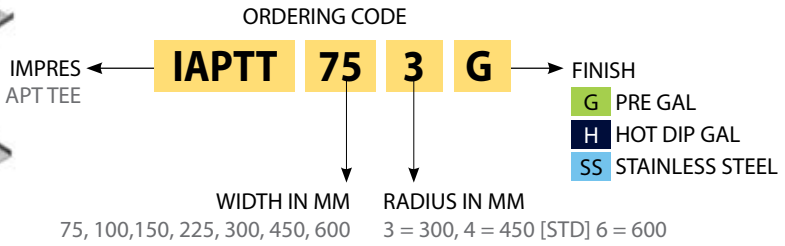


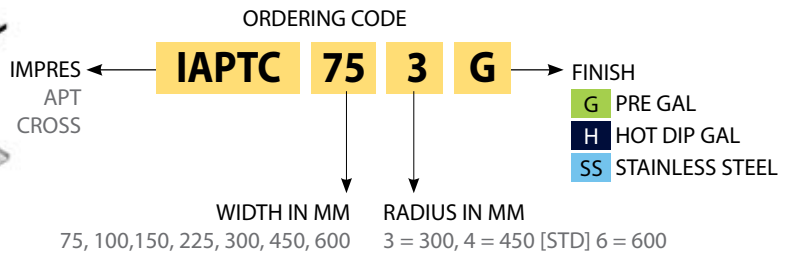
# TRAY SYSTEMS

## APT TRAY ACCESSORIES

### APT TEE

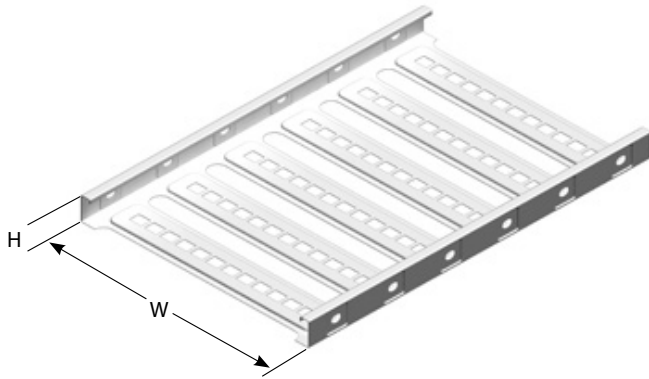


### APT CROSS



# TRAY SYSTEMS

## ECO TRAYS

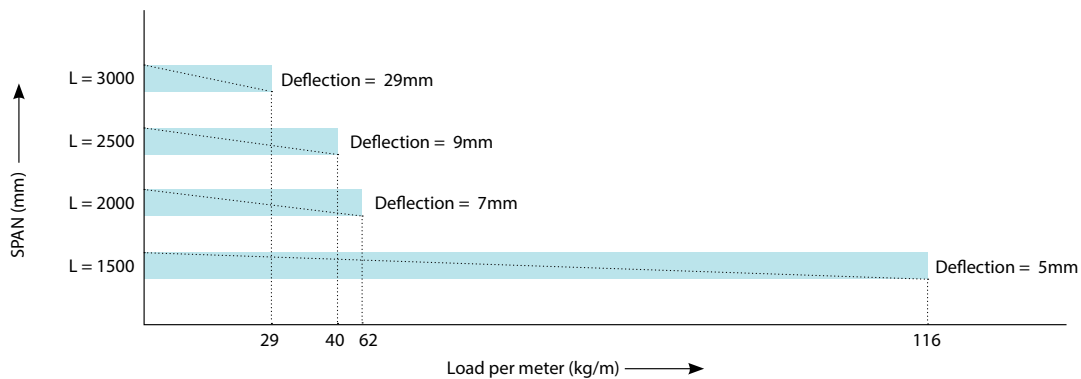


Overall Height (H) = 45mm Cable Laying Depth = 38mm

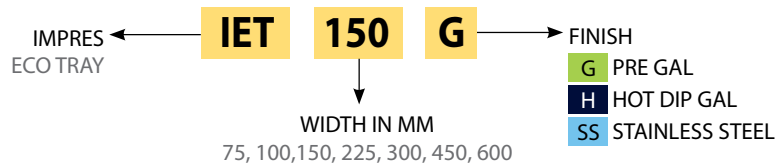
ECO Tray is the economical version of Cable Tray where the standard size of 150/300/450 and 600 measure the same. The side height of this tray is 45mm and carries almost the same load as other equivalent trays. The reduced width and height makes this tray lighter and easier to install. The ECO tray has its own set of accessories.

ECO Tray has been tested in accordance to NEMA standards and the load ratings certified by NATA accredited testing facility.

## LOAD RATING AND DEFLECTION



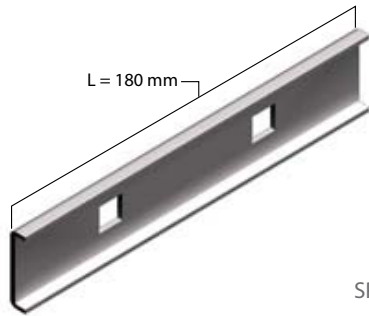
## ECO TRAY ORDERING CODE



# TRAY SYSTEMS

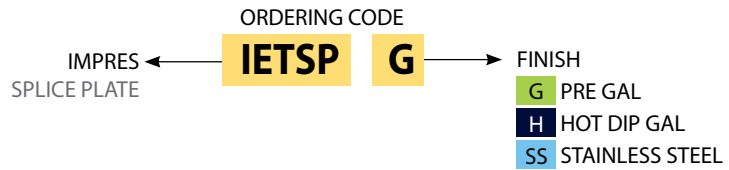
## ECO TRAYS - ACCESSORIES

### SPLICE PLATE

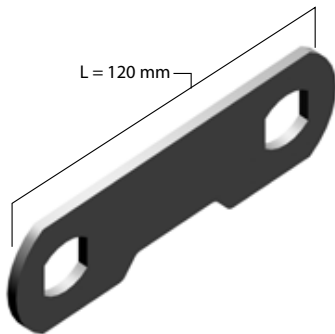


**Note:** Order separately for installation (per splice plate)

2 Splices required per length of the tray.  
Each Splice Plate requires 2 X ILTFKZ



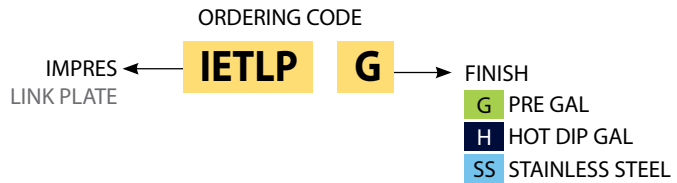
### LINK PLATE



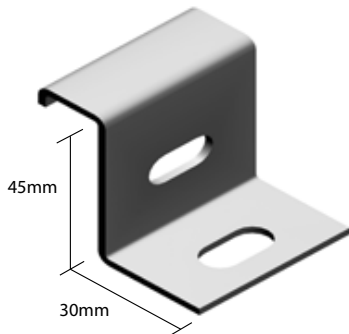
**Note:** Order Fasteners separately for installation ( per Riser Link)

6 Riser Links are required to perform a 90 degree set.

Each Riser Link requires 2 X ILTFKZ



### HOLD DOWN BRACKET



**Note:** Order fasteners separately for installation

Each IET HDB requires 1 X IHHP1025 and 1 X I3008

