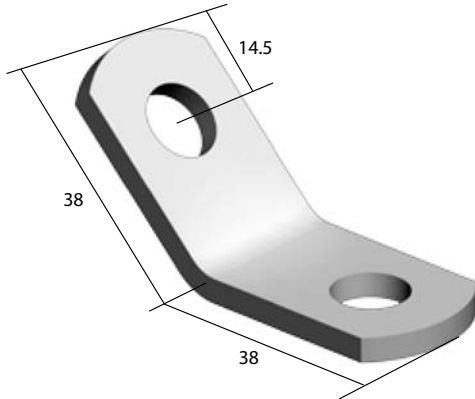


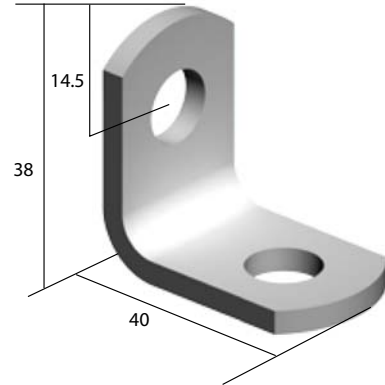
PIPE SUPPORTS

BRACING SYSTEMS

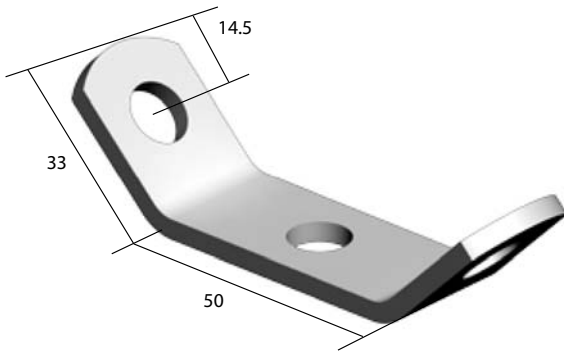
Hole Dia = 11mm Thickness 3mm



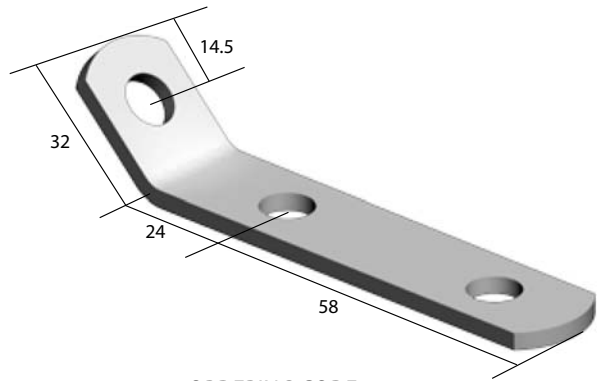
ORDERING CODE
 IMPRES BRACING SYSTEM ← **IF 45 H** → FINISH **H** HOT DIP GAL
 ANGLE



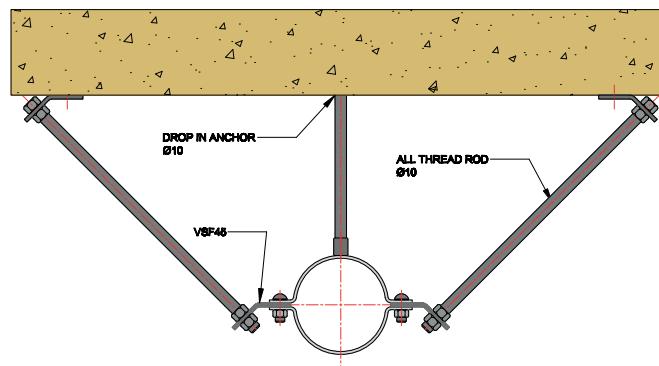
ORDERING CODE
 IMPRES BRACING SYSTEM ← **IF 90 H** → FINISH **H** HOT DIP GAL
 ANGLE



ORDERING CODE
 IMPRES BRACING SYSTEM ← **ILF 90 H** → FINISH **H** HOT DIP GAL
 ANGLE



ORDERING CODE
 IMPRES BRACING SYSTEM ← **ILF 45 H** → FINISH **H** HOT DIP GAL
 ANGLE



NOTE: Non Standard finish are available upon request and are made-to-order. They cannot be returned once the order is processed.