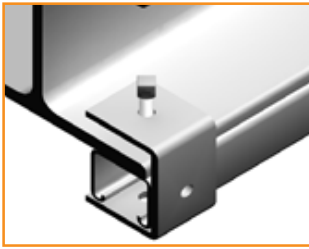
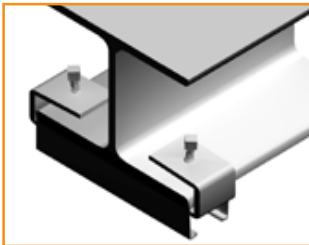
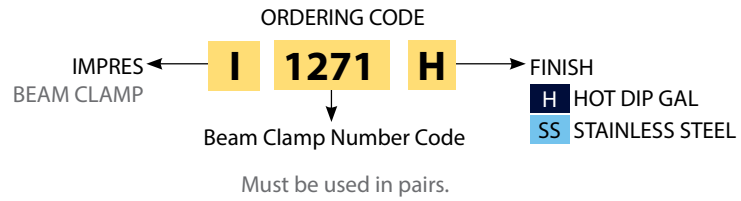


CHANNEL ACCESSORIES

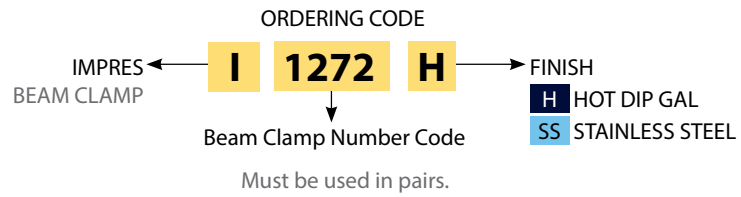
BEAM CLAMPS



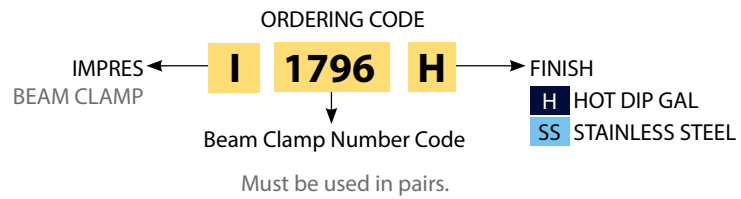
W = 0.45kgs



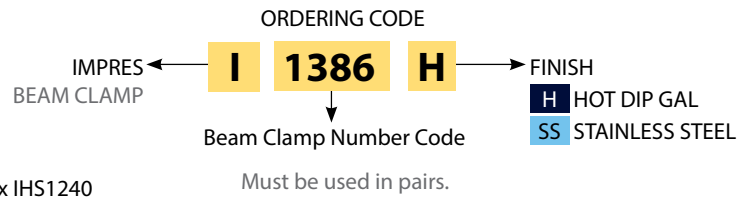
W = 0.18kgs



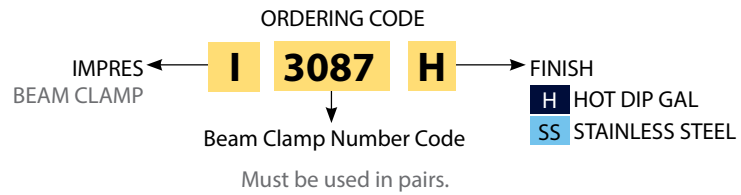
W = 0.48kgs



Includes 2 x IHS1240
W = .11kgs

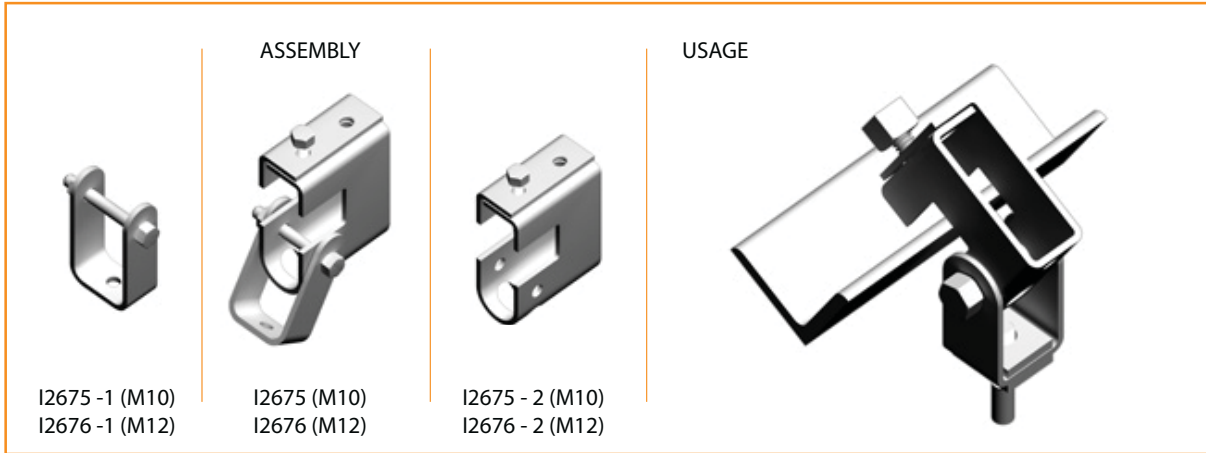


W = 0.87kgs



CHANNEL ACCESSORIES

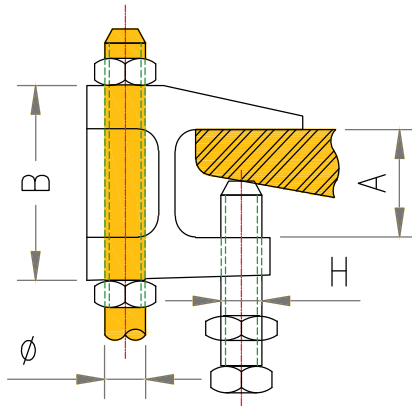
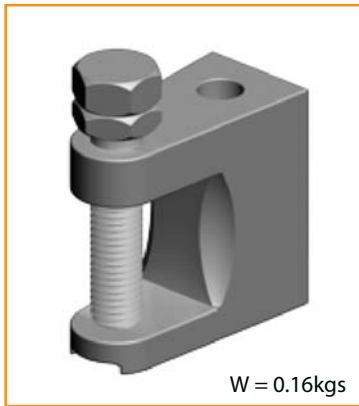
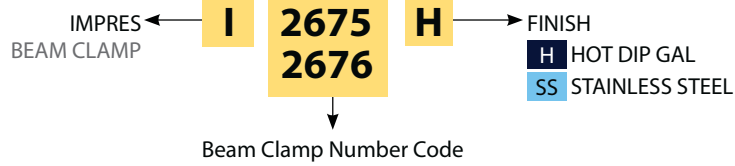
BEAM CLAMPS



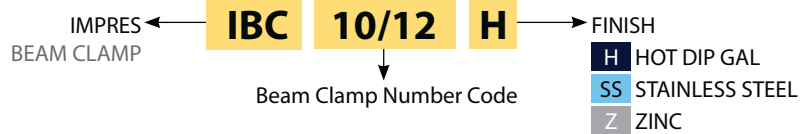
W = 0.16kgs (M10 Assembly)

W = 0.26kgs (M12 Assembly)

ASSEMBLY ORDERING INFORMATION



ORDERING CODE



ORDERING CODES

Ordering Code	A (mm)	Load Capacity (kg)
IBC10	18 mm	254.93 kg
IBC12	26 mm	356.9 kg

CHANNELS ACCESSORIES

BEAM CLAMPS

CONDUIT BEAM CLAMP



Description	Bolt	Dimensions	Finish
IC17-1	Conduit Beam Clamp for 17mm I-Beam	M6 x 25mm	ZINC
IC25-1	Conduit Beam Clamp for 25mm I-Beam	M6 x 25mm	ZINC
IC20-2	Conduit Beam Clamp for 20mm I-Beam	M6 x 25mm	Stainless Steel
IC30-2	Conduit Beam Clamp for 30mm I-Beam	M8 x 30mm	Stainless Steel
IC45-2	Conduit Beam Clamp for 45mm I-Beam	M8 x 30mm	Stainless Steel
IC20-3	Conduit Beam Clamp for 20mm I-Beam	M6 x 25mm	HDG
IC30-3	Conduit Beam Clamp for 20mm I-Beam	M8 x 30mm	HDG
IC45-3	Conduit Beam Clamp for 20mm I-Beam	M8 x 30mm	HDG

ORDERING CODE

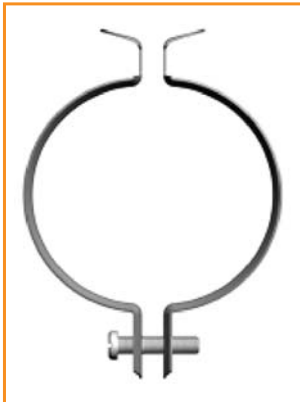
IMPRES
CONDUIT
BEAM CLAMP

IC 17 1

FINISH

- 3** HOT DIP GAL
- 2** STAINLESS STEEL
- 1** ZINC

CR CLIPS



PIPE	DIAMETER	FINISH
ICR17-1	16-20mm	ZINC
ICR21-1	20.4-25mm	ZINC
ICR28-1	26.9-31.8mm	ZINC
ICR37-1	33.7-38mm	ZINC
ICR42-1	40-44.5mm	ZINC
ICR48-1	47-51mm	ZINC
ICR17-2	16-20mm	STAINLESS STEEL
ICR21-2	20.4-25mm	STAINLESS STEEL
ICR28-2	26.9-31.8mm	STAINLESS STEEL
ICR37-2	33.7-38mm	STAINLESS STEEL
ICR42-2	40-44.5mm	STAINLESS STEEL
ICR48-2	47-51mm	STAINLESS STEEL
ICR60-2	59.2-63.5mm	STAINLESS STEEL
ICR17-3	16-20mm	HDG
ICR21-3	20.4-25mm	HDG
ICR28-3	26.9-31.8mm	HDG
ICR37-3	33.7-38mm	HDG
ICR42-3	40-44.5mm	HDG
ICR48-3	47-51mm	HDG
ICR60-3	59.2-63.5mm	HDG

ORDERING CODE

IMPRES
CR CLIPS

ICR 16 1

FINISH

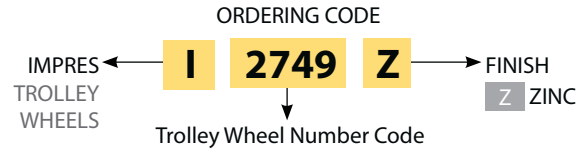
- 3** HOT DIP GAL
- 2** STAINLESS STEEL
- 1** ZINC

CHANNEL ACCESSORIES

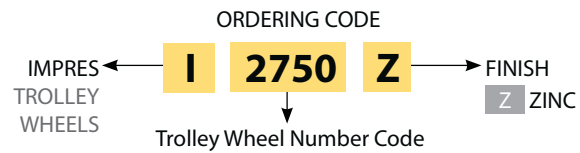
TROLLEY WHEELS



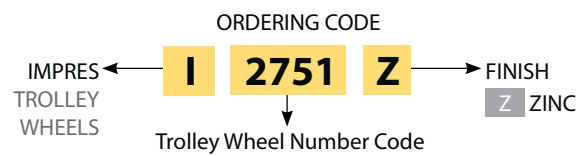
W = 0.18kgs



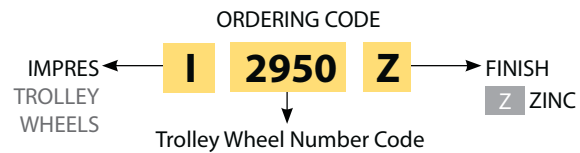
W = 0.48kgs



W = 0.48kgs

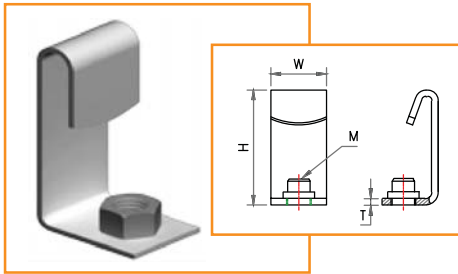


W = 0.48kgs



CHANNEL ACCESSORIES

PURLIN CLIPS



ORDERING CODE
ISPURL 10 Z
 IMPRES S PURLIN CLIP Diameter FINISH Z ZINC



ORDERING CODE
ISPURLN 08 Z
 IMPRES S PURLIN CLIP NUT PUNCHED Diameter FINISH Z ZINC

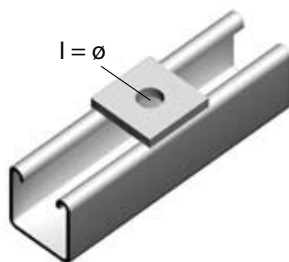


ORDERING CODE
IEPURL 10 Z
 IMPRES E PURLIN CLIP Diameter FINISH Z ZINC

FITTINGS

NOTE: Stainless Steel Orders are manufactured under firm orders only.
 MATERIAL SPECIFICATION Thickness = 6mm Width = 40mm Hole Diameter = 14mm

FLAT PLATE FITTINGS



ORDERING CODE
I1062 - I1964 H
 IMPRES FLAT PLATE FITTING FINISH H HOT DIP GAL SS STAINLESS STEEL

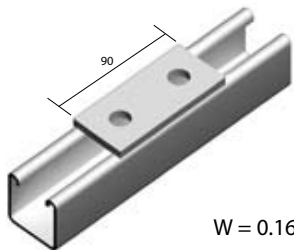
Ordering Code	I	W (kg)
I 1062	M8	0.06
I 1063	M10	0.07
I 1064	M12	0.08
I 1964	M16	0.06

CHANNELS ACCESSORIES

FITTINGS

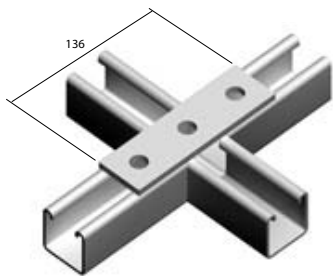
NOTE: Stainless Steel Orders are manufactured under firm orders only.
MATERIAL SPECIFICATION Thickness = 6mm Width = 40mm Hole Diameter = 14mm

FLAT PLATE FITTINGS



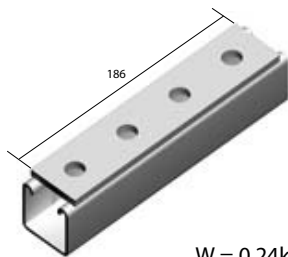
W = 0.16kgs

ORDERING CODE
IMPRES ← **I1065** **H** → FINISH
FLAT PLATE FITTING
H HOT DIP GAL
SS STAINLESS STEEL



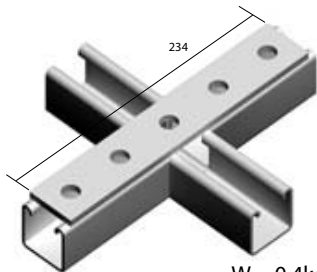
W = 0.24kgs

ORDERING CODE
IMPRES ← **I1066** **H** → FINISH
FLAT PLATE FITTING
H HOT DIP GAL
SS STAINLESS STEEL



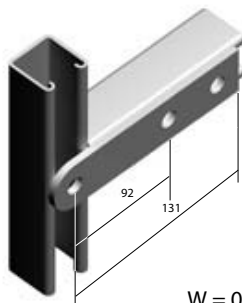
W = 0.24kgs

ORDERING CODE
IMPRES ← **I1067** **H** → FINISH
FLAT PLATE FITTING
H HOT DIP GAL
SS STAINLESS STEEL



W = 0.4kgs

ORDERING CODE
IMPRES ← **I1941** **H** → FINISH
FLAT PLATE FITTING
H HOT DIP GAL
SS STAINLESS STEEL



W = 0.31kgs

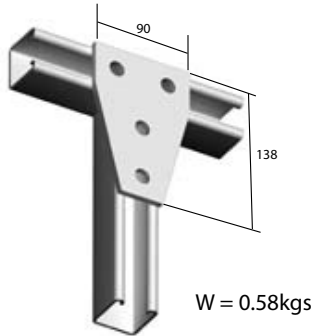
ORDERING CODE
IMPRES ← **I2324** **H** → FINISH
FLAT PLATE FITTING
H HOT DIP GAL
SS STAINLESS STEEL

CHANNELS ACCESSORIES

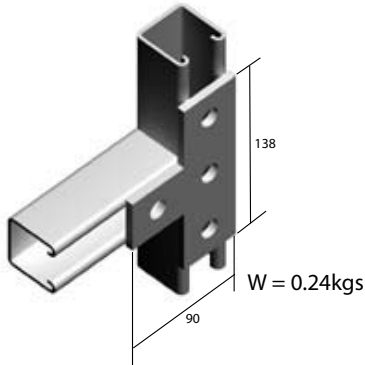
FITTINGS

NOTE: Stainless Steel Orders are manufactured under firm orders only.
MATERIAL SPECIFICATION Thickness = 6mm Width = 40mm Hole Diameter = 14mm

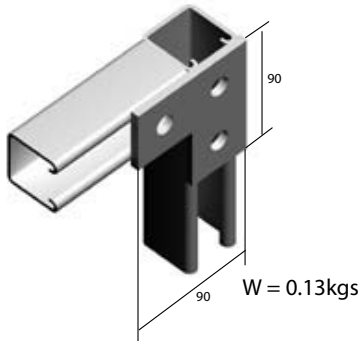
FLAT PLATE FITTINGS



ORDERING CODE
IMPRES ← **I1358** **H** → FINISH
FLAT PLATE FITTING
H HOT DIP GAL
SS STAINLESS STEEL

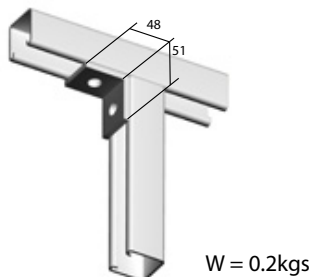


ORDERING CODE
IMPRES ← **I1031** **H** → FINISH
FLAT PLATE FITTING
H HOT DIP GAL
SS STAINLESS STEEL



ORDERING CODE
IMPRES ← **I1036** **H** → FINISH
FLAT PLATE FITTING
H HOT DIP GAL
SS STAINLESS STEEL

ANGLE FITTINGS



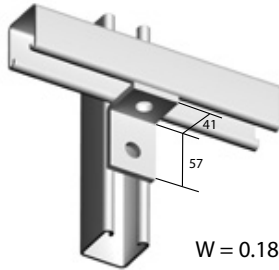
ORDERING CODE
IMPRES ← **I1026** **H** → FINISH
ANGLE FITTING
H HOT DIP GAL
SS STAINLESS STEEL

CHANNELS ACCESSORIES

FITTINGS

NOTE: Stainless Steel Orders are manufactured under firm orders only.
MATERIAL SPECIFICATION Thickness = 6mm Width = 40mm Hole Diameter = 14mm

ANGLE FITTINGS



W = 0.18kgs

ORDERING CODE

IMPRES
ANGLE
FITTING

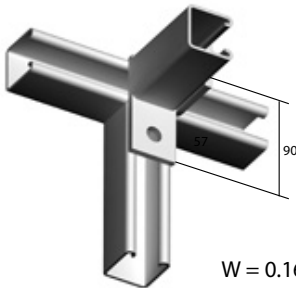
I1068

H

FINISH

H HOT DIP GAL

SS STAINLESS STEEL



W = 0.16kgs

ORDERING CODE

IMPRES
ANGLE
FITTING

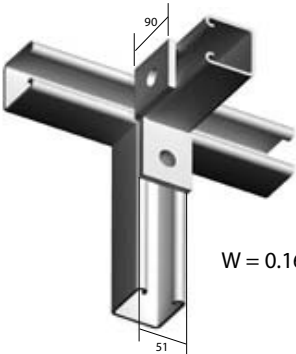
I1037

H

FINISH

H HOT DIP GAL

SS STAINLESS STEEL



W = 0.16kgs

ORDERING CODE

IMPRES
ANGLE
FITTING

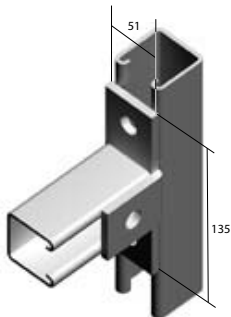
I1038

H

FINISH

H HOT DIP GAL

SS STAINLESS STEEL



W = 0.27kgs

ORDERING CODE

IMPRES
ANGLE
FITTING

I1033

H

FINISH

H HOT DIP GAL

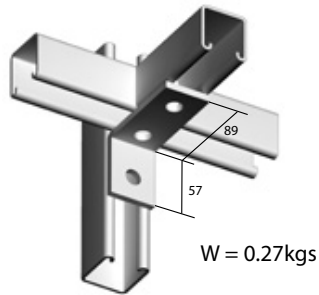
SS STAINLESS STEEL

CHANNELS ACCESSORIES

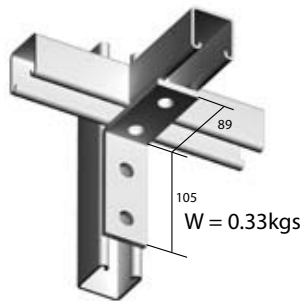
FITTINGS

NOTE: Stainless Steel Orders are manufactured under firm orders only.
MATERIAL SPECIFICATION Thickness = 6mm Width = 40mm Hole Diameter = 14mm

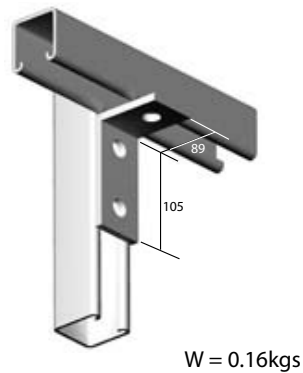
ANGLE FITTINGS



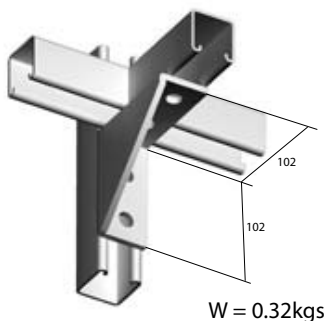
ORDERING CODE
IMPRES ← **I1458** **H** → FINISH
ANGLE FITTING
H HOT DIP GAL
SS STAINLESS STEEL



ORDERING CODE
IMPRES ← **I1325** **H** → FINISH
ANGLE FITTING
H HOT DIP GAL
SS STAINLESS STEEL



ORDERING CODE
IMPRES ← **I1326** **H** → FINISH
ANGLE FITTING
H HOT DIP GAL
SS STAINLESS STEEL



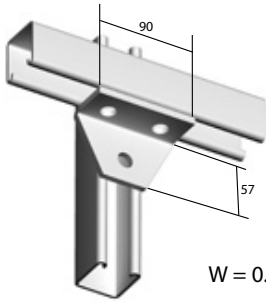
ORDERING CODE
IMPRES ← **I2484** **H** → FINISH
ANGLE FITTING
H HOT DIP GAL
SS STAINLESS STEEL

CHANNELS ACCESSORIES

FITTINGS

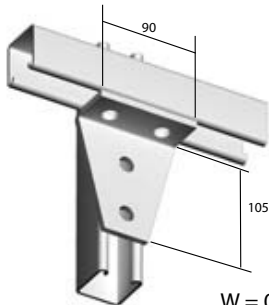
NOTE: Stainless Steel Orders are manufactured under firm orders only.
MATERIAL SPECIFICATION Thickness = 6mm Width = 40mm Hole Diameter = 14mm

ANGLE FITTINGS



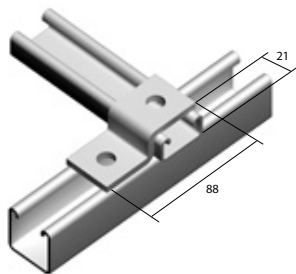
W = 0.4kgs

ORDERING CODE
IMPRES ← **I1357** **H** → FINISH
ANGLE FITTING
H HOT DIP GAL
SS STAINLESS STEEL



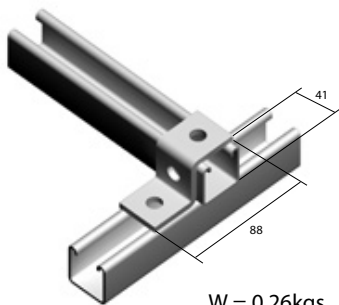
W = 0.61kgs

ORDERING CODE
IMPRES ← **I1359** **H** → FINISH
ANGLE FITTING
H HOT DIP GAL
SS STAINLESS STEEL



W = 0.22kgs

ORDERING CODE
IMPRES ← **I4045** **H** → FINISH
ANGLE FITTING
H HOT DIP GAL
SS STAINLESS STEEL



W = 0.26kgs

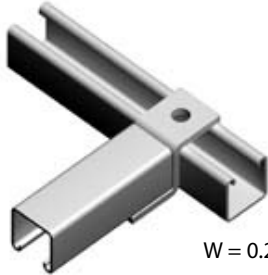
ORDERING CODE
IMPRES ← **I1045** **H** → FINISH
ANGLE FITTING
H HOT DIP GAL
SS STAINLESS STEEL

CHANNELS ACCESSORIES

FITTINGS

NOTE: Stainless Steel Orders are manufactured under firm orders only.
MATERIAL SPECIFICATION Thickness = 6mm Width = 40mm Hole Diameter = 14mm

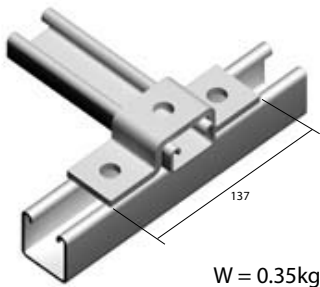
ANGLE FITTINGS



W = 0.22kgs

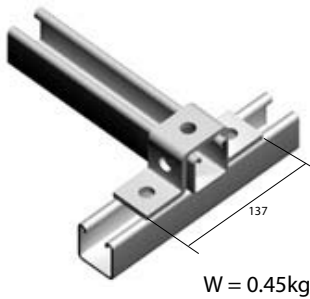
ORDERING CODE
IMPRES ← **I1347** **H** → FINISH
ANGLE FITTING
H HOT DIP GAL
SS STAINLESS STEEL

“U” FITTINGS



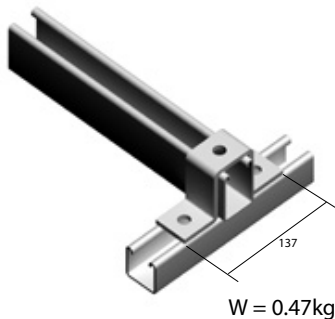
W = 0.35kgs

ORDERING CODE
IMPRES ← **I4047** **H** → FINISH
“U” FITTING
H HOT DIP GAL
SS STAINLESS STEEL



W = 0.45kgs

ORDERING CODE
IMPRES ← **I1047** **H** → FINISH
“U” FITTING
H HOT DIP GAL
SS STAINLESS STEEL



W = 0.47kgs

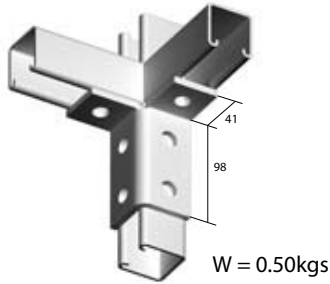
ORDERING CODE
IMPRES ← **I5547** **H** → FINISH
“U” FITTING
H HOT DIP GAL
SS STAINLESS STEEL

CHANNELS ACCESSORIES

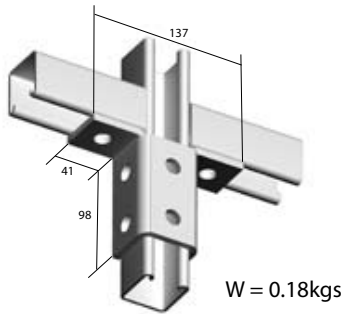
FITTINGS

NOTE: Stainless Steel Orders are manufactured under firm orders only.
MATERIAL SPECIFICATION Thickness = 6mm Width = 40mm Hole Diameter = 14mm

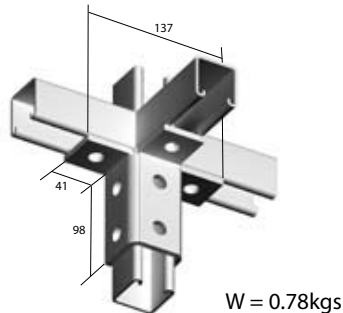
"U" FITTINGS



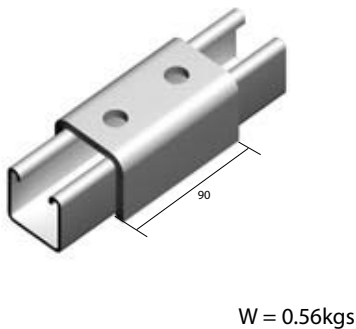
ORDERING CODE
IMPRES "U" FITTING ← **I2224** **H** → FINISH
H HOT DIP GAL
SS STAINLESS STEEL



ORDERING CODE
IMPRES "U" FITTING ← **I2346** **H** → FINISH
H HOT DIP GAL
SS STAINLESS STEEL



ORDERING CODE
IMPRES "U" FITTING ← **I2228** **H** → FINISH
H HOT DIP GAL
SS STAINLESS STEEL



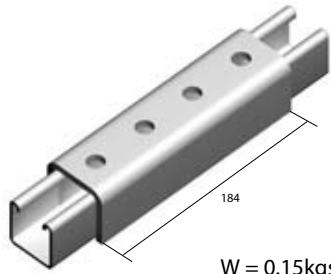
ORDERING CODE
IMPRES "U" FITTING ← **I1376** **H** → FINISH
H HOT DIP GAL
SS STAINLESS STEEL

CHANNELS ACCESSORIES

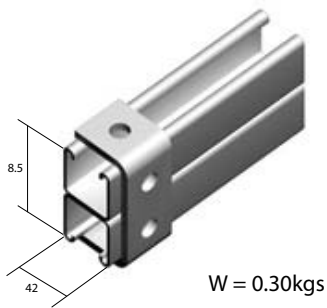
FITTINGS

NOTE: Stainless Steel Orders are manufactured under firm orders only.
MATERIAL SPECIFICATION Thickness = 6mm Width = 40mm Hole Diameter = 14mm

"U" FITTINGS

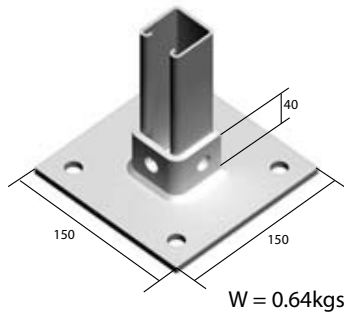


ORDERING CODE
IMPRES "U" FITTING ← **I1377** **H** → FINISH
H HOT DIP GAL
SS STAINLESS STEEL

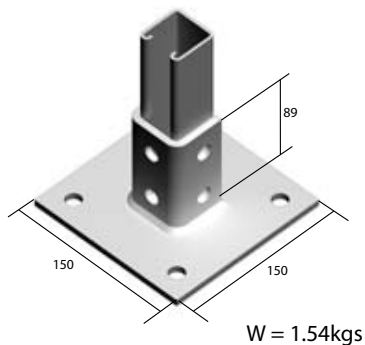


ORDERING CODE
IMPRES "U" FITTING ← **I1044** **H** → FINISH
H HOT DIP GAL
SS STAINLESS STEEL

BASE PLATE



ORDERING CODE
IMPRES BASE PLATE ← **I2072S1** **H** → FINISH
H HOT DIP GAL
SS STAINLESS STEEL



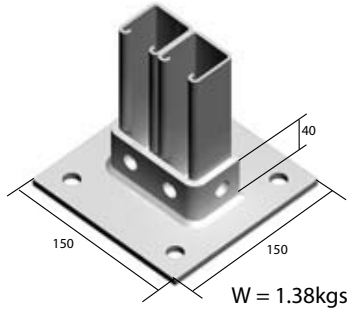
ORDERING CODE
IMPRES BASE PLATE ← **I2072 A** **H** → FINISH
H HOT DIP GAL
SS STAINLESS STEEL

CHANNELS ACCESSORIES

FITTINGS

NOTE: Stainless Steel Orders are manufactured under firm orders only.
MATERIAL SPECIFICATION Thickness = 6mm Width = 40mm Hole Diameter = 14mm

BASE PLATE

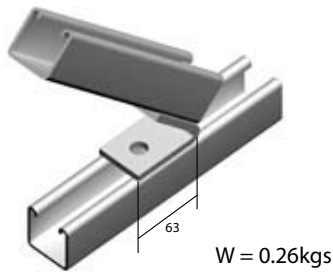


ORDERING CODE

IMPRES "U" FITTING ← **I2073** **H** → FINISH

- H** HOT DIP GAL
- SS** STAINLESS STEEL

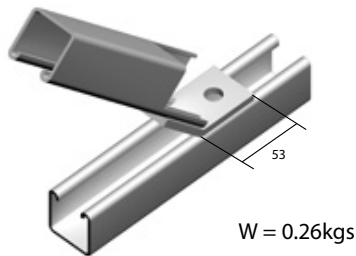
ANGLE & ADJUSTABLE FITTINGS



ORDERING CODE

IMPRES ANGLE & ADJUSTABLE FITTING ← **I1186** **H** → FINISH

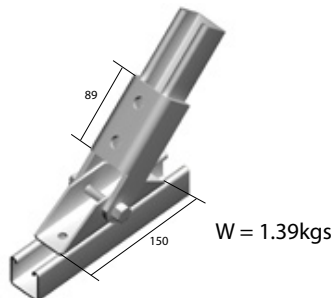
- H** HOT DIP GAL
- SS** STAINLESS STEEL



ORDERING CODE

IMPRES ANGLE & ADJUSTABLE FITTING ← **I2846** **H** → FINISH

- H** HOT DIP GAL
- SS** STAINLESS STEEL



ORDERING CODE

IMPRES ANGLE & ADJUSTABLE FITTING ← **I2815** **H** → FINISH

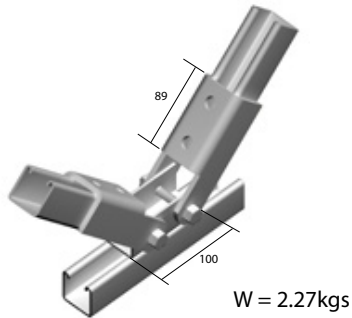
- H** HOT DIP GAL
- SS** STAINLESS STEEL

CHANNELS ACCESSORIES

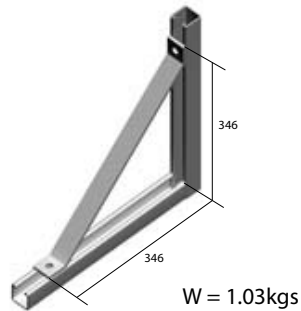
FITTINGS

NOTE: Stainless Steel Orders are manufactured under firm orders only.
MATERIAL SPECIFICATION Thickness = 6mm Width = 40mm Hole Diameter = 14mm

ANGLE & ADJUSTABLE FITTINGS

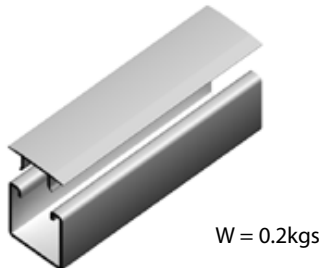


ORDERING CODE
I2815-D **H** → FINISH
IMPRES ← ANGLE & ADJUSTABLE FITTING → **H** HOT DIP GAL
SS STAINLESS STEEL



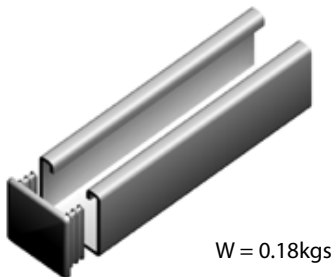
ORDERING CODE
I2452 **H** → FINISH
IMPRES ← ANGLE & ADJUSTABLE FITTING → **H** HOT DIP GAL
SS STAINLESS STEEL

CHANNEL JOINERS & HANGERS



ORDERING CODE
I1184 **P** → FINISH
IMPRES ← CLOSURE STRIP → **AL** ALUMINIUM
P PVC

Available: in 3m - Grey 1184P, White 1184W and Aluminium 1184A



ORDERING CODE
I2240 **P** → FINISH
IMPRES ← END CAP → **AL** ALUMINIUM
P PVC

Suits 11000 and I2000 Channels

CHANNELS ACCESSORIES

FITTINGS

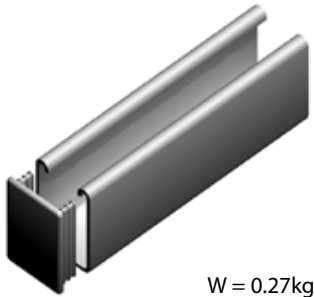
CHANNEL JOINERS & HANGERS



W = 0.16kgs

ORDERING CODE
IMPRES ← **I3380** **P** → FINISH
END CAP AL ALUMINIUM
P PVC

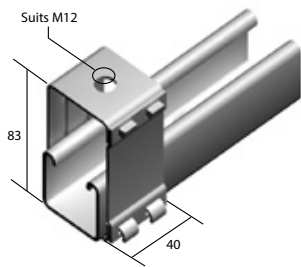
Suits 13300 and I4000 Channels



W = 0.27kgs

ORDERING CODE
IMPRES ← **I5580** **P** → FINISH
END CAP AL ALUMINIUM
P PVC

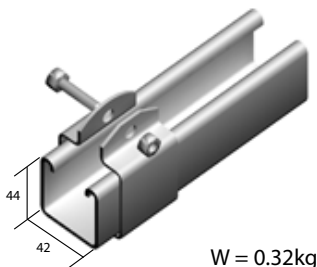
Suits 15500 Channels



W = 0.33kgs

ORDERING CODE
IMPRES ← **I2855** **Z** → FINISH
CHANNEL HANGER Z ZINC

Suits M12



W = 0.32kgs

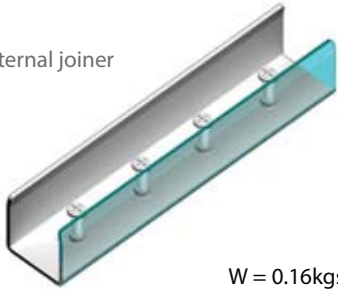
ORDERING CODE
IMPRES ← **I2539** **Z** → FINISH
CHANNEL HANGER Z ZINC

CHANNELS ACCESSORIES

FITTINGS

CHANNEL JOINERS & HANGERS

Internal joiner

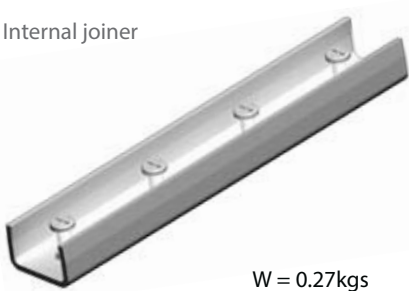


W = 0.16kgs

ORDERING CODE
IMPRES ← **I922J** **Z** → FINISH
CHANNEL JOINERS **Z** ZINC

Suits 11000 and I2000 Channels

Internal joiner

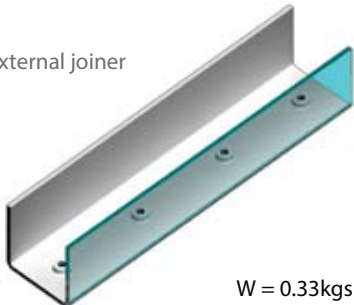


W = 0.27kgs

ORDERING CODE
IMPRES ← **I422J** **Z** → FINISH
CHANNEL JOINERS **Z** ZINC

Suits 13300 and I4000 Channels

External joiner

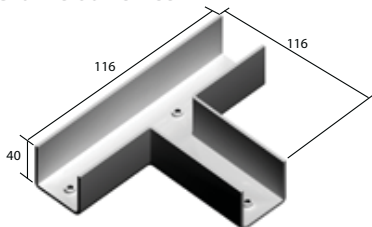


W = 0.33kgs

ORDERING CODE
IMPRES ← **I2377** **Z** → FINISH
CHANNEL JOINERS **Z** ZINC

Fasteners Included

Channel Joiner Tee



W = 0.33kgs

ORDERING CODE
IMPRES ← **I922T** **Z** → FINISH
CHANNEL JOINERS TEE **Z** ZINC

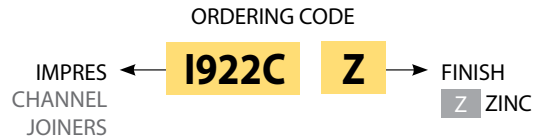
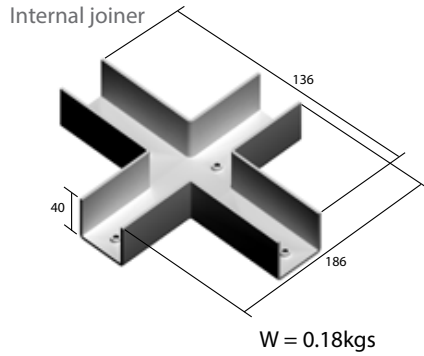
Fasteners Included

CHANNELS ACCESSORIES

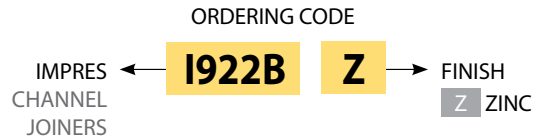
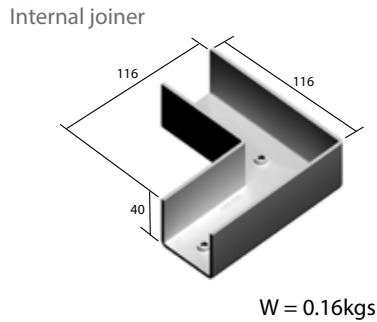
FITTINGS

NOTE: Stainless Steel Orders are manufactured under firm orders only.
 MATERIAL SPECIFICATION Thickness = 6mm Width = 40mm Hole Diameter = 14mm

CHANNEL JOINERS & HANGERS

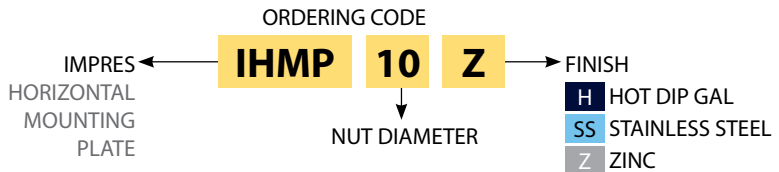
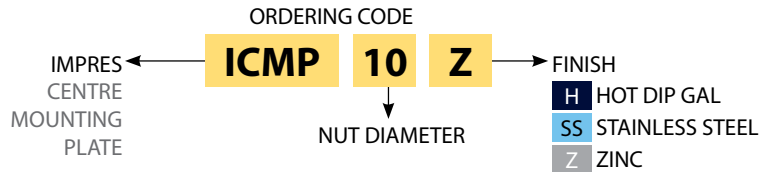


Suits 11000 and I2000 Channels



Suits 13300 and I4000 Channels

MOUNTING PLATES



CHANNELS ACCESSORIES

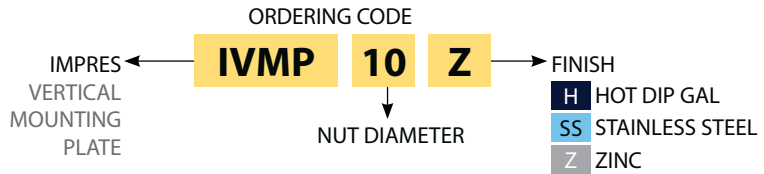
FITTINGS

NOTE: Stainless Steel Orders are manufactured under firm orders only.
MATERIAL SPECIFICATION Thickness = 6mm Width = 40mm Hole Diameter = 14mm

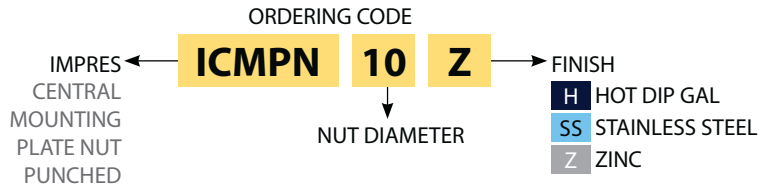
MOUNTING PLATES



W = 0.32kgs



W = 0.32kgs



W = 0.32kgs

