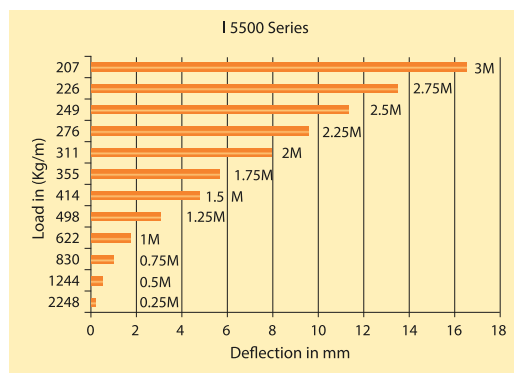
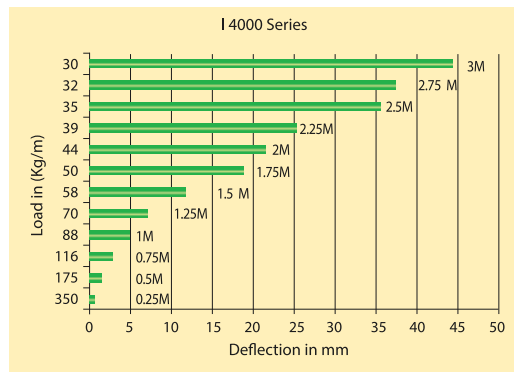
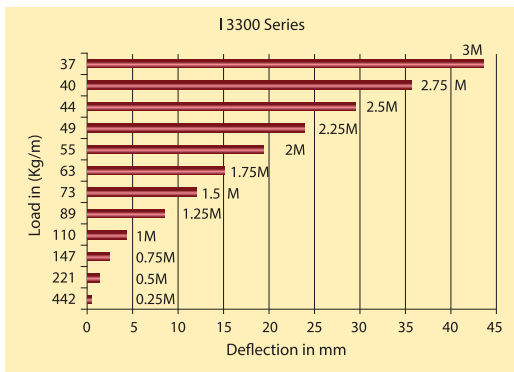
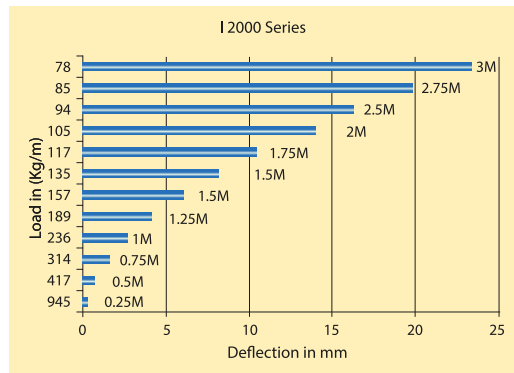
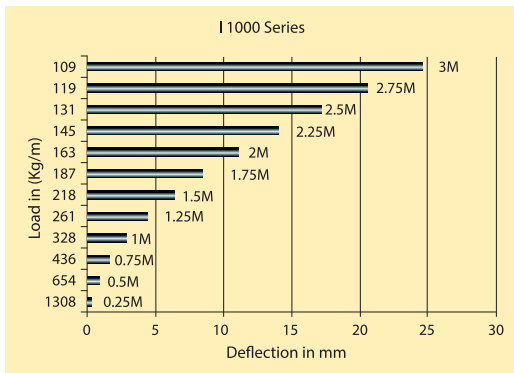
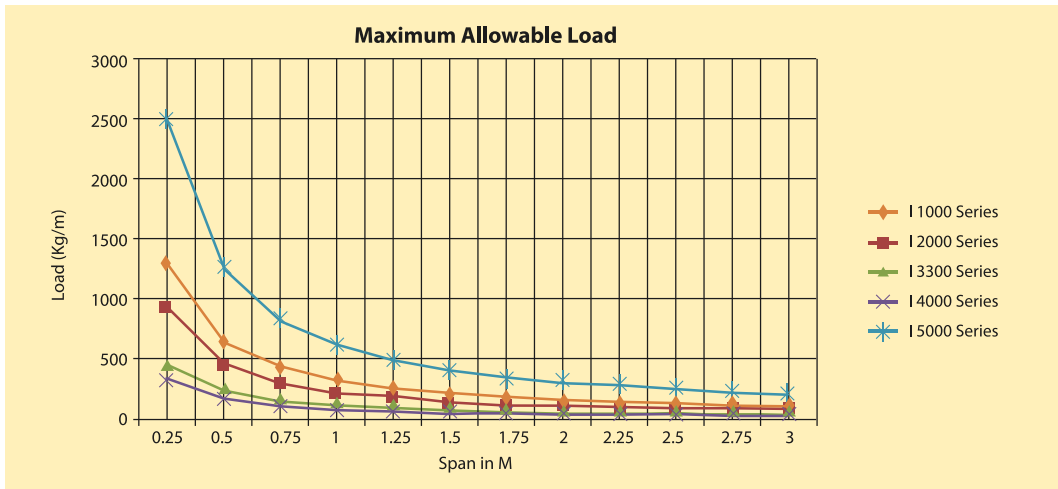


CHANNELS

LOAD DEFLECTION CHART

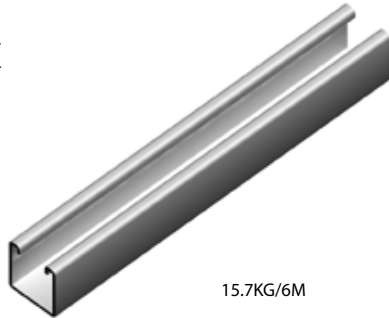
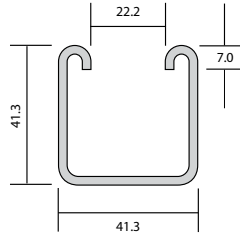


CHANNELS

PLAIN CHANNELS

CHANNEL I1000

Thickness: 2.5mm (Mild Steel /Stainless Steel)
Length: 6m



15.7KG/6M

ORDERING CODE

I 1000

IMPRES
CHANNEL

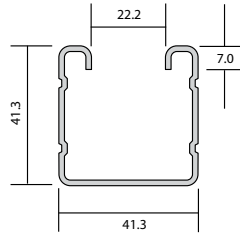
H

FINISH

- G** PRE GAL
- H** HOT DIP GAL
- SS** STAINLESS STEEL
- M** MILL / BLACK

CHANNEL I2000

Thickness: 1.6mm (Mild Steel /Stainless Steel)
Length: 6m



10.8KG/6M

ORDERING CODE

I 2000

IMPRES
CHANNEL

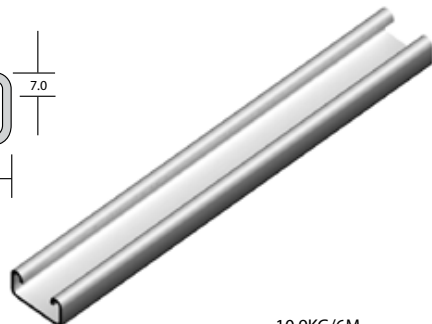
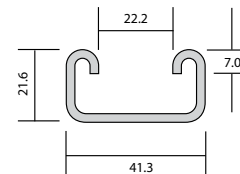
H

FINISH

- G** PRE GAL
- H** HOT DIP GAL
- SS** STAINLESS STEEL
- M** MILL / BLACK

CHANNEL I3300

Thickness: 2.5mm (Mild Steel /Stainless Steel)
Length: 6m



10.9KG/6M

ORDERING CODE

I 3300

IMPRES
CHANNEL

H

FINISH

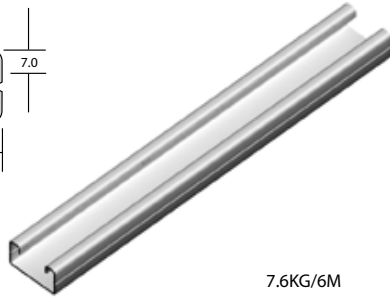
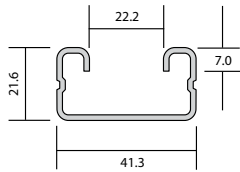
- G** PRE GAL
- H** HOT DIP GAL
- SS** STAINLESS STEEL
- M** MILL / BLACK

CHANNELS

PLAIN CHANNELS

CHANNEL I4000

Thickness: 1.6mm (Mild Steel /Stainless Steel)
Length: 6m



7.6KG/6M

ORDERING CODE

I 4000

IMPRES
CHANNEL

H

FINISH

G PRE GAL

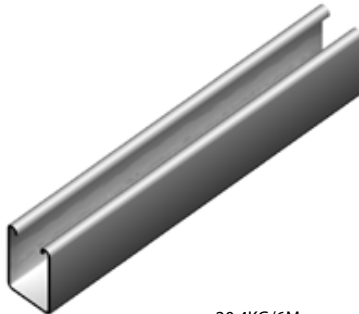
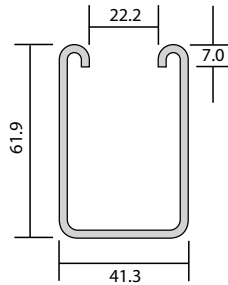
H HOT DIP GAL

SS STAINLESS STEEL

M MILL / BLACK

CHANNEL I5500

Thickness: 2.5mm (Mild Steel /Stainless Steel)
Length: 6m



20.4KG/6M

ORDERING CODE

I 5500

IMPRES
CHANNEL

H

FINISH

G PRE GAL

H HOT DIP GAL

SS STAINLESS STEEL

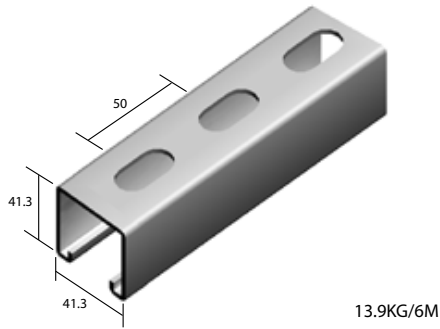
M MILL / BLACK

CHANNELS

SLOTTED CHANNELS

SLOTTED CHANNEL I1000T

Thickness: 2.5mm (Mild Steel /Stainless Steel)
Length: 6m



ORDERING CODE

I 1000 T

↓
IMPRES
CHANNEL

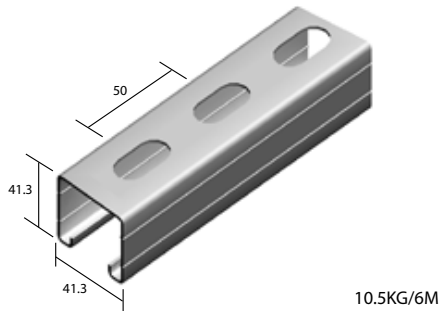
H

↓
FINISH

G PRE GAL
H HOT DIP GAL
SS STAINLESS STEEL

CHANNEL I2000T

Thickness: 1.6mm (Mild Steel /Stainless Steel)
Length: 6m



ORDERING CODE

I 2000 T

↓
IMPRES
CHANNEL

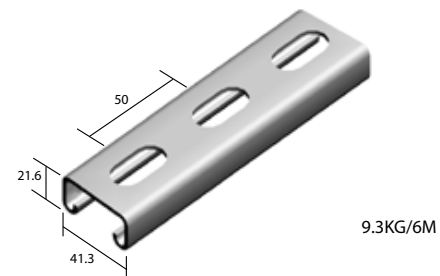
H

↓
FINISH

G PRE GAL
H HOT DIP GAL

CHANNEL I3300T

Thickness: 2.5mm (Mild Steel /Stainless Steel)
Length: 6m



ORDERING CODE

I 3300 T

↓
IMPRES
CHANNEL

H

↓
FINISH

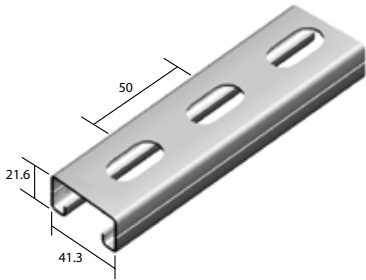
G PRE GAL
H HOT DIP GAL
SS STAINLESS STEEL

CHANNELS

SLOTTED CHANNELS

SLOTTED CHANNEL I4000T

Thickness: 1.6mm (Mild Steel /Stainless Steel)
Length: 6m



7.3KG/6M

ORDERING CODE

I 4000 T

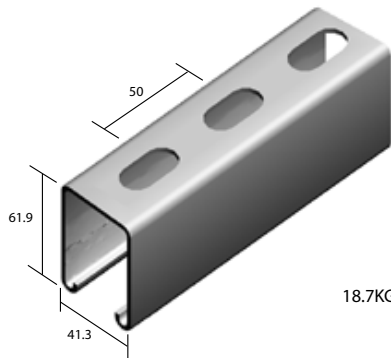
IMPRES
CHANNEL

H

FINISH
G PRE GAL
H HOT DIP GAL

CHANNEL I5500T

Thickness: 2.5mm (Mild Steel /Stainless Steel)
Length: 6m



18.7KG/6M

ORDERING CODE

I 5500 T

IMPRES
CHANNEL

H

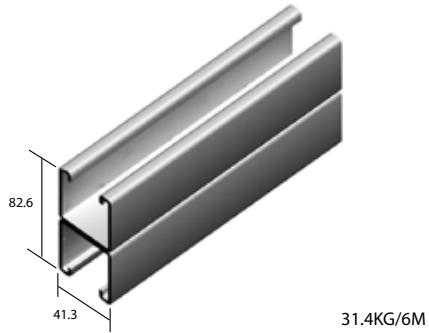
FINISH
G PRE GAL
H HOT DIP GAL

CHANNELS

BACK TO BACK CHANNELS

BACK TO BACK CHANNEL I1001

Thickness: 2.5mm (Mild Steel /Stainless Steel)
Length: 6m



ORDERING CODE

I 1001

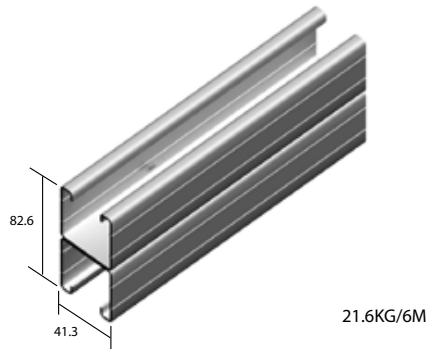
IMPRES
CHANNEL

H

FINISH
G PRE GAL
H HOT DIP GAL

BACK TO BACK CHANNEL I2001

Thickness: 1.6mm (Mild Steel /Stainless Steel)
Length: 6m



ORDERING CODE

I 2001

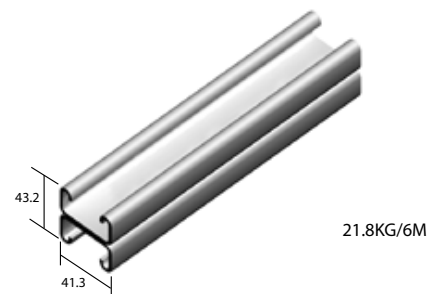
IMPRES
CHANNEL

H

FINISH
G PRE GAL
H HOT DIP GAL

BACK TO BACK CHANNEL I3301

Thickness: 2.5mm (Mild Steel /Stainless Steel)
Length: 6m



ORDERING CODE

I 3301

IMPRES
CHANNEL

H

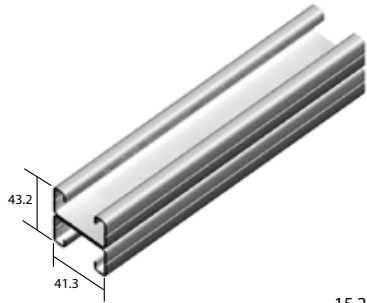
FINISH
G PRE GAL
H HOT DIP GAL

CHANNELS

BACK TO BACK CHANNELS

BACK TO BACK CHANNEL I4001

Thickness: 1.6mm (Mild Steel /Stainless Steel)
Length: 6m



15.2KG/6M

ORDERING CODE

I 4001

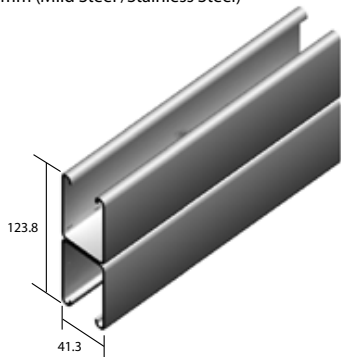
IMPRES
CHANNEL

H

FINISH
G PRE GAL
H HOT DIP GAL

BACK TO BACK CHANNEL I5501

Thickness: 2.5mm (Mild Steel /Stainless Steel)
Length: 6m



40.8KG/6M

ORDERING CODE

I 5501

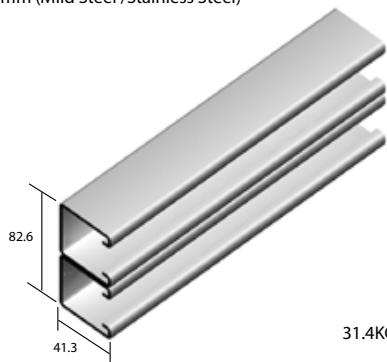
IMPRES
CHANNEL

H

FINISH
G PRE GAL
H HOT DIP GAL

BACK TO BACK CHANNEL I1001A

Thickness: 2.5mm (Mild Steel /Stainless Steel)
Length: 6m



31.4KG/6M

ORDERING CODE

I 1001 A

IMPRES
CHANNEL

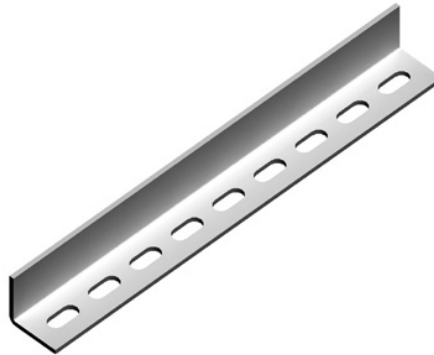
H

FINISH
G PRE GAL
H HOT DIP GAL

CHANNELS

SLOTTED ANGLES

SLOTTED ANGLES



ORDERING CODES

IMPRES
SLOTTED ANGLES

ISA 3030 Z

FINISH
H HOT DIP GAL
Z ZINC

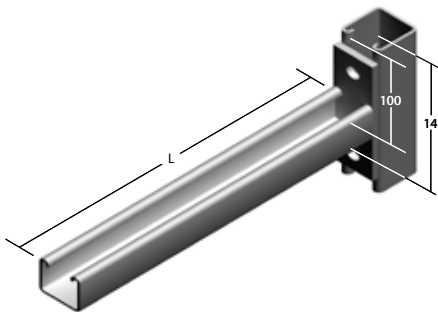
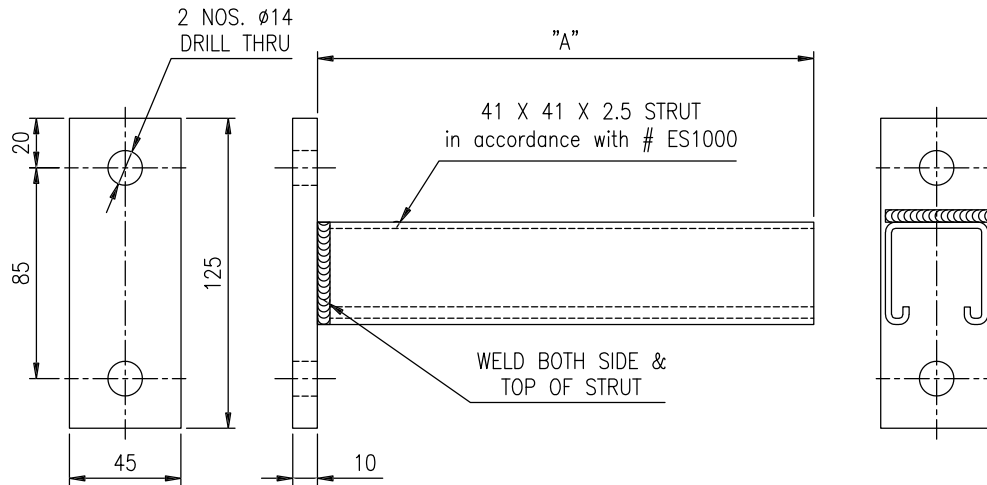
Slotted Angle	Height (H)	Width (W)	Length (L)	Slot Dimensions
ISA3030	30mm	30mm	3m	11 X 18mm
ISA4040	40mm	40mm	3m	11 X 18mm
ISA5050	50mm	50mm	3m	14 X 30mm

CHANNELS

CANTILEVER BRACKETS

- Standard thickness of 2.5mm
- Available finish in Hot Dip Galvanised and Stainless Steel.
- Stainless Steel products are manufactured on firm orders only.

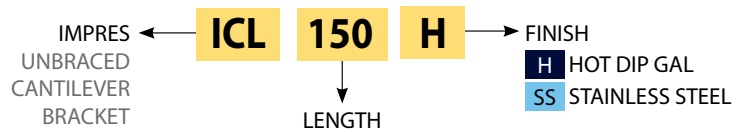
UNBRACED CANTILEVER BRACKET



ORDERING CODES

Ordering Code	Length (L)	Load Capacity (kg)
ICL150	150 mm	320 kg
ICL300	300 mm	260 kg
ICL450	450 mm	171 kg
ICL600	600 mm	116 kg
ICL750	750 mm	102 kg

ORDERING CODE

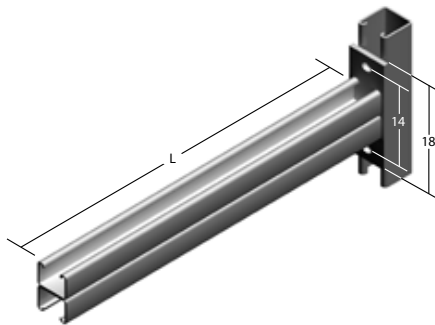
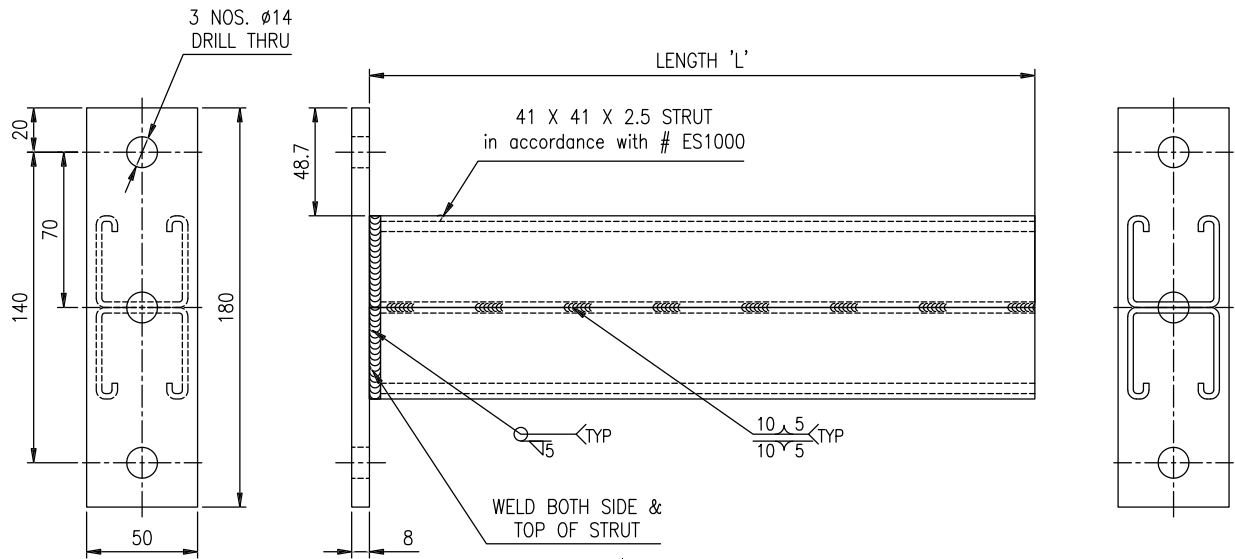


CHANNELS

CANTILEVER BRACKETS

- Standard thickness of 2.5mm
- Available finish in Hot Dip Galvanised and Stainless Steel.
- Stainless Steel products are manufactured on firm orders only.

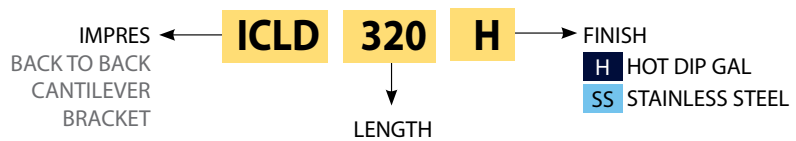
BACK TO BACK CANTILEVER BRACKET



ORDERING CODES

Ordering Code	Length (L)	Load Capacity (kg)
ICLD300	300 mm	610 kg
ICLD450	450 mm	506 kg
ICLD600	600 mm	372 kg
ICLD750	750 mm	259 kg

ORDERING CODE

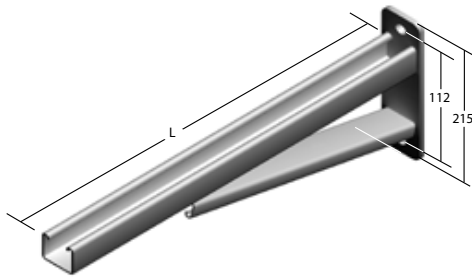
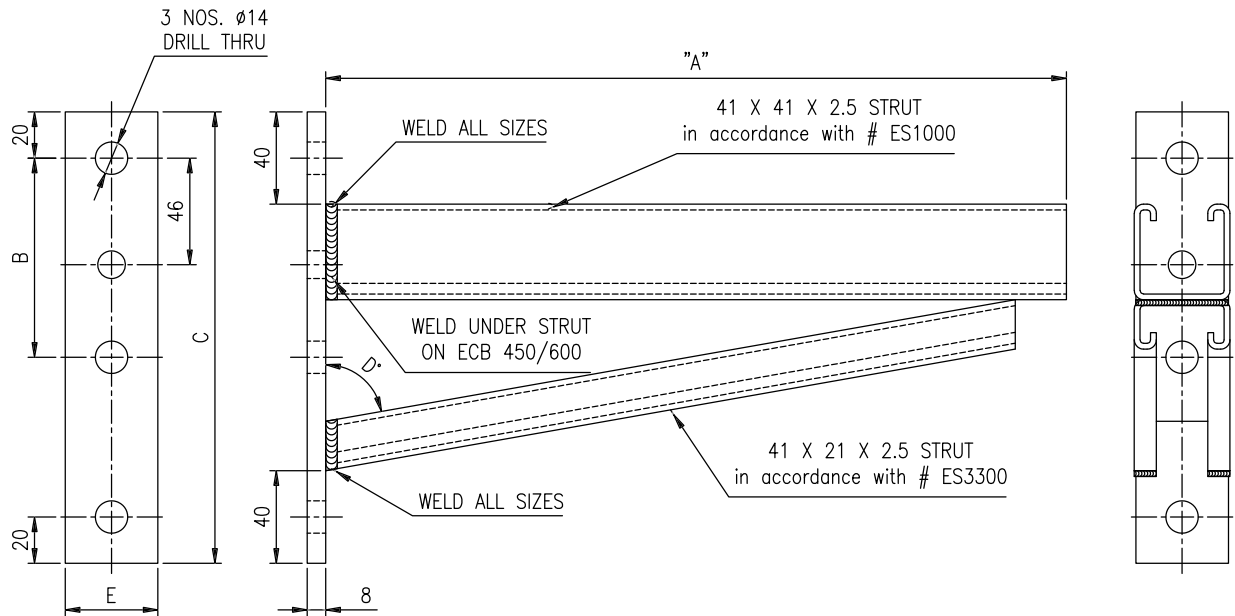


CHANNELS

CANTILEVER BRACKETS

- Standard thickness of 2.5mm
- Available finish in Hot Dip Galvanised and Stainless Steel.
- Stainless Steel products are manufactured on firm orders only.

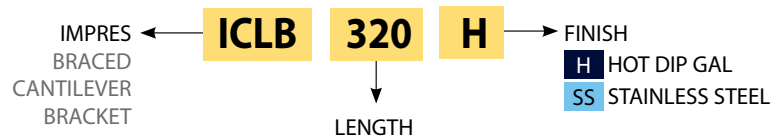
BRACED CANTILEVER BRACKET



ORDERING CODES

Ordering Code	Length (L)	Load Capacity (kg)
ICLB320	320 mm	445 kg
ICLB470	470 mm	376 kg
ICLB635	635 mm	338 kg
ICLB780	780 mm	279 kg

ORDERING CODE

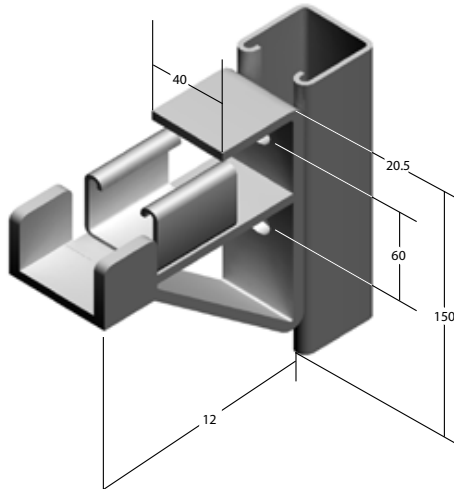


CHANNELS

CANTILEVER BRACKETS

- Standard thickness of 2.5mm
- Available finish in Hot Dip Galvanised only.

CANTILEVER BRACKET - I1075-4H



Description

- Available in Hot Dip Galvanised finish.
- Hole Diameters = 14 mm
- Channel Used is I1000H
- Two fasteners included for assembly

ORDERING CODE

IMPRES
CANTILEVER
BRACKET

I10754

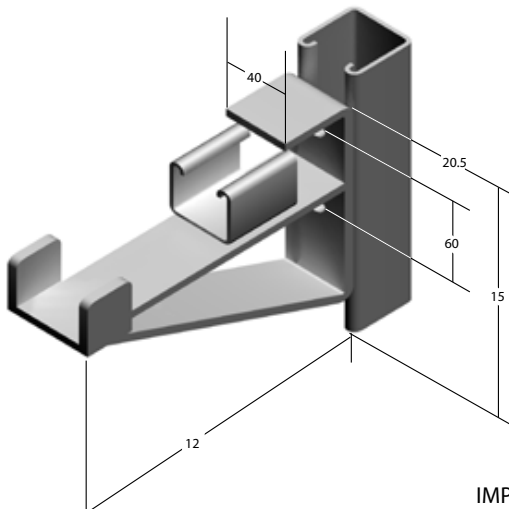
H

FINISH

H HOT DIP GAL

SS STAINLESS STEEL

CANTILEVER BRACKET - I1075-8H



Description

- Available in Hot Dip Galvanised finish.
- Hole Diameters = 14 mm
- Channel Used is I1000H
- Two fasteners included for assembly

ORDERING CODE

IMPRES
CANTILEVER
BRACKET

I10758

H

FINISH

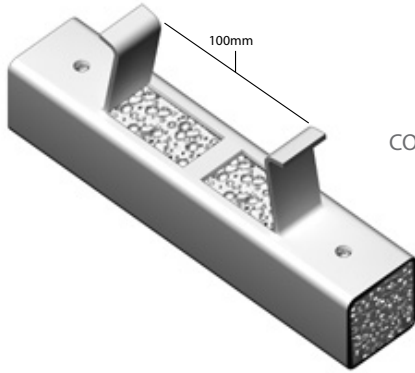
H HOT DIP GAL

SS STAINLESS STEEL

CHANNELS

CONCRETE INSERTS

CONCRETE INSERT I1000CI



ORDERING CODE

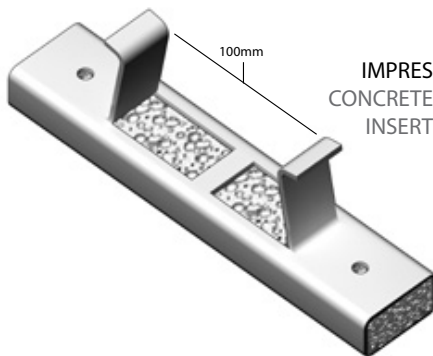
IMPRES ← **I 1000 CI 3000** → FINISH **H** HOT DIP GAL

CONCRETE INSERT

Channel Type	Standard Length (mm)	
1000	3000mm	6000mm

Note: Custom lengths available on request

CONCRETE INSERT I3300CI



ORDERING CODE

IMPRES ← **I 3300 CI 3000** → FINISH **H** HOT DIP GAL

CONCRETE INSERT

Channel Type	Standard Length (mm)	
3300	3000mm	6000mm

Note: Custom lengths available on request

