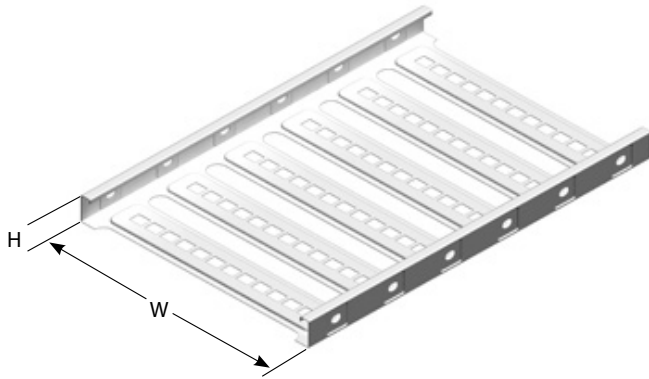


# TRAY SYSTEMS

## ECO TRAYS

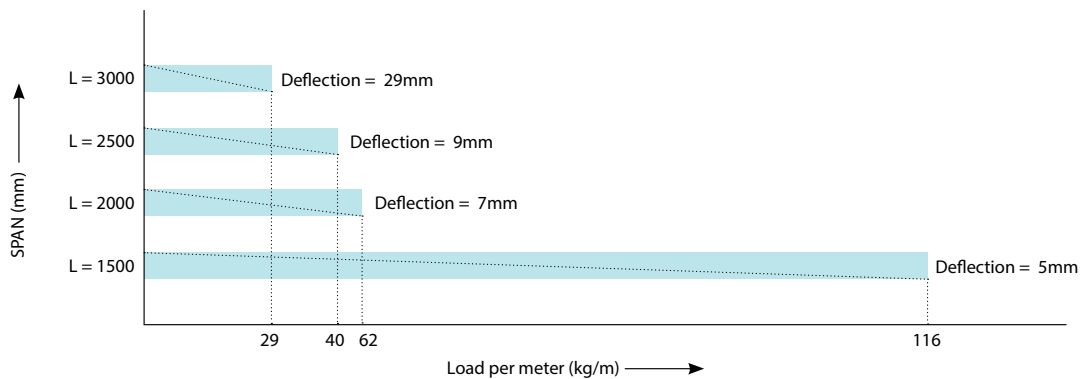


Overall Height (H) = 45mm Cable Laying Depth = 38mm

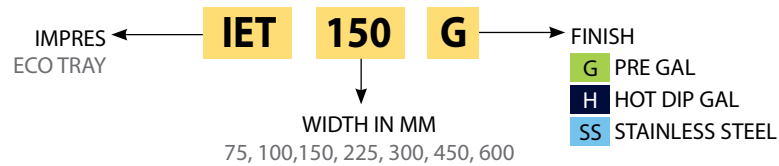
ECO Tray is the economical version of Cable Tray where the standard size of 150/300/450 and 600 measure the same. The side height of this tray is 45mm and carries almost the same load as other equivalent trays. The reduced width and height makes this tray lighter and easier to install. The ECO tray has its own set of accessories.

ECO Tray has been tested in accordance to NEMA standards and the load ratings certified by NATA accredited testing facility.

## LOAD RATING AND DEFLECTION



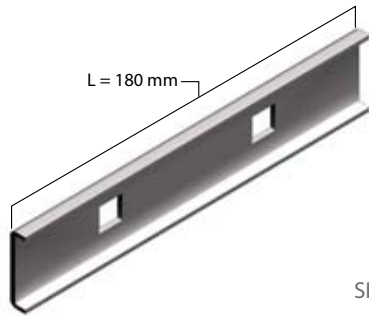
## ECO TRAY ORDERING CODE



# TRAY SYSTEMS

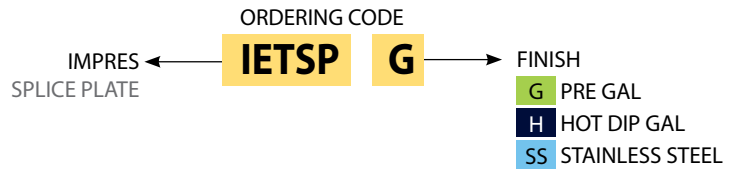
## ECO TRAYS - ACCESSORIES

### SPLICE PLATE

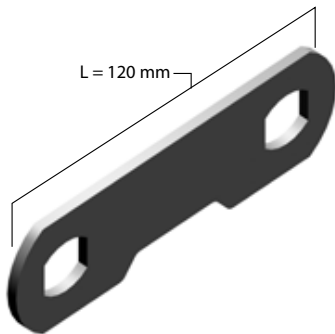


**Note:** Order separately for installation (per splice plate)

2 Splices required per length of the tray.  
Each Splice Plate requires 2 X ILTFKZ



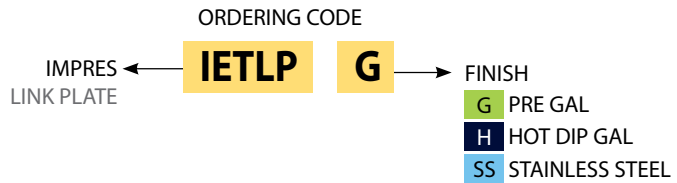
### LINK PLATE



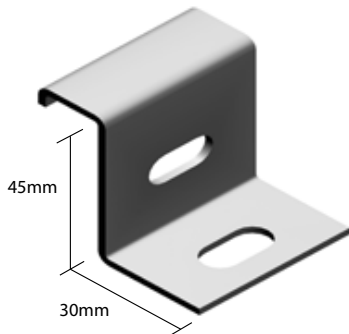
**Note:** Order Fasteners separately for installation ( per Riser Link)

6 Riser Links are required to perform a 90 degree set.

Each Riser Link requires 2 X ILTFKZ

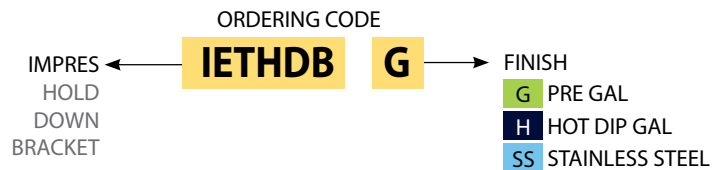


### HOLD DOWN BRACKET



**Note:** Order fasteners separately for installation

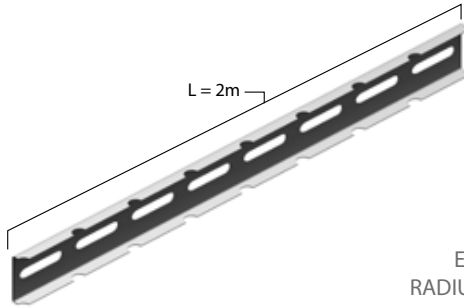
Each IET HDB requires 1 X IHHP1025 and 1 X I3008



# TRAY SYSTEMS

## ECO TRAYS - ACCESSORIES

### ECO TRAY RADIUS PLATE



| Tray Size     | IET 150 | IET 300 | IET 450/600 |
|---------------|---------|---------|-------------|
| Length Req    | 0.7M    | 1.2M    | 1.4M        |
| Fasteners Req | 6       | 8       | 10          |

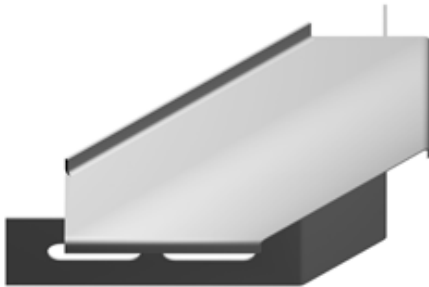
ORDERING CODE

IMPRES ← **IETRP** **G** → FINISH

ECO TRAY RADIUS PLATE

- G** PRE GAL
- H** HOT DIP GAL
- SS** STAINLESS STEEL

### ECO TRAY TX BRACKET



Note: Order Fasteners separately for installation ( per TX Bracket)

2 TX Brackets required to make a Tee and 4 required to make a cross.

Each TX Bracket requires 4 X ILTFKZ.

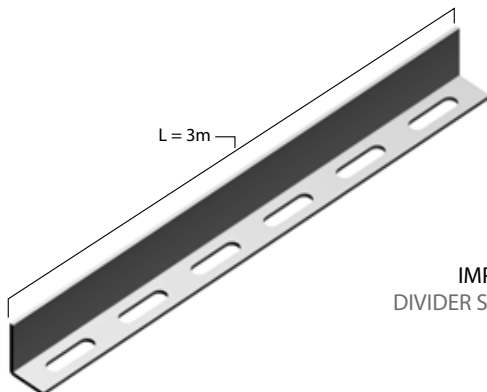
ORDERING CODE

IMPRES ← **IETTX** **G** → FINISH

ECO TRAY TX BRACKET

- G** PRE GAL
- H** HOT DIP GAL
- SS** STAINLESS STEEL

### ECO TRAY DIVIDER STRIP



Note: Order Fasteners separately for installation

Each divider strip requires 3 X IHHB0620 and 3 X I3016

Standard Length: 3m

ORDERING CODE

IMPRES ← **IETDS** **G** → FINISH

DIVIDER STRIP

- G** PRE GAL
- H** HOT DIP GAL
- SS** STAINLESS STEEL

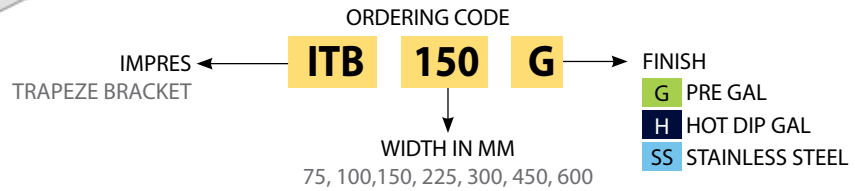
# TRAY SYSTEMS

## ECO TRAYS - ACCESSORIES

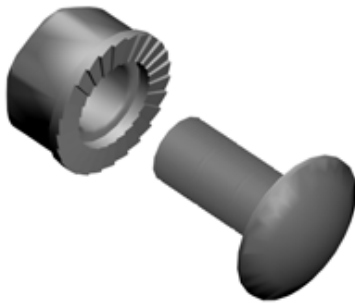
### TRAPEZE BRACKET



TRAPEZE BRACKETS are used to support the trays. These brackets come in cut sizes for all widths of trays. They are a good substitute to the traditional channels used and the pre cut slots enable the hold down brackets to easily connect to the tray.



### ECO TRAY NUT & BOLT



**Note:** To order both items separately, please use the following order code  
**Bolt:** ILT Bolt and **Nut:** ILT NUT

Specify ILTFKH when both parts are required.

IMPRES Splice Bolts have a smooth head to eliminate the risk of sheathing the metal during installation.

