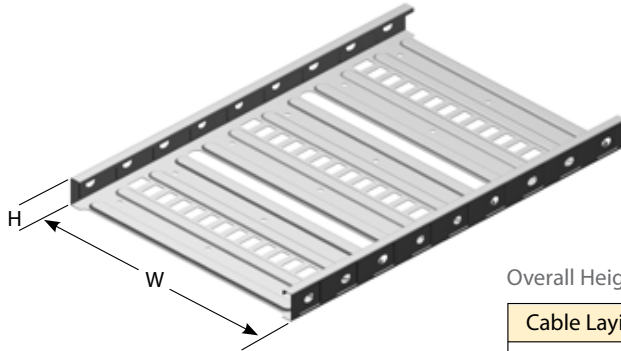


TRAY SYSTEMS

LT3 TRAYS

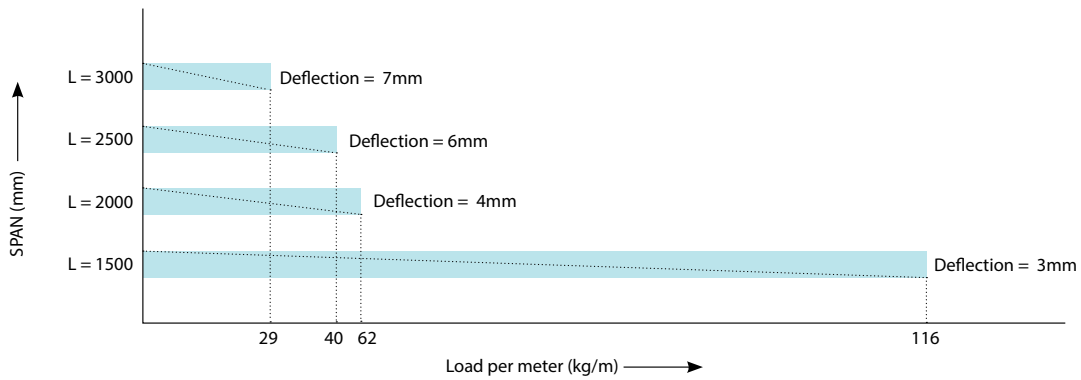


LT3 Tray has been tested in accordance to NEMA standards and the load ratings certified by NATA accredited testing facility.

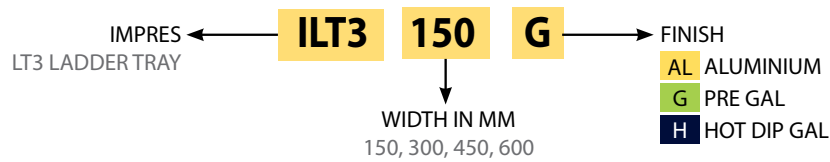
Overall Height (H)= 50mm Cable Laying Depth = 40mm

Cable Laying Width	Product Code	Overall Width (W)
150 mm	ILT3 150	172 mm
300 mm	ILT3 300	322 mm
450 mm	ILT3 450	472 mm
600 mm	ILT3 600	622 mm

LOAD RATING AND DEFLECTION



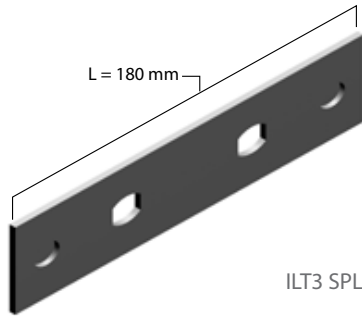
LT3 TRAY ORDERING INFORMATION



TRAY SYSTEMS

ILT3 TRAYS - ACCESSORIES

ILT3 SPLICE PLATE



ORDERING CODE

IMPRES ← **ILT3SP** **G** → FINISH

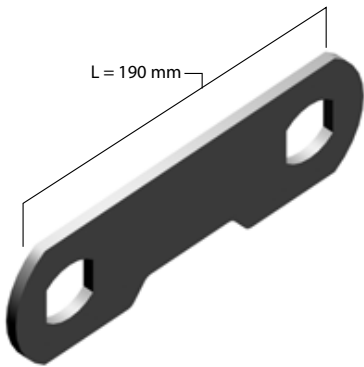
ILT3 SPLICE PLATE

- AL** ALUMINIUM
- G** PRE GAL
- H** HOT DIP GAL

Note: Order separately for installation (per splice plate)

2 Splices required per length of the tray.

ILT3 LINK PLATE



ORDERING CODE

IMPRES ← **ILT3RL** **G** → FINISH

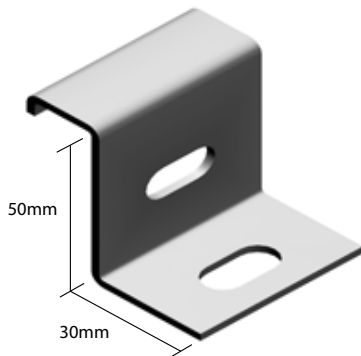
ILT3 LINK PLATE

- AL** ALUMINIUM
- G** PRE GAL
- H** HOT DIP GAL

Note: Order Fasteners separately for installation (per Riser Link)

6 Riser Links are required to perform a 90 degree set.

ILT3 HOLD DOWN BRACKET



ORDERING CODE

IMPRES ← **ILT3HDB** **G** → FINISH

ILT3 HOLD DOWN BRACKET

- AL** ALUMINIUM
- G** PRE GAL
- H** HOT DIP GAL

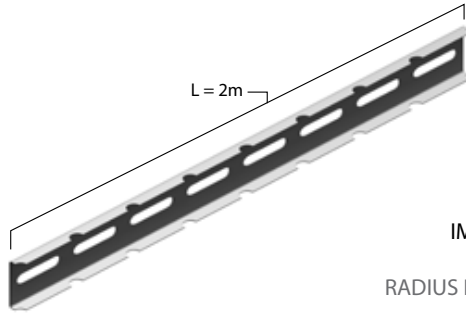
Note: Order fasteners separately for installation

Each ILT3HDB requires 1 X HS01025 and 1 X I3008Z

TRAY SYSTEMS

ILT3 TRAYS - ACCESSORIES

ILT3 TRAY RADIUS PLATE



IMPRES
ILT3
RADIUS PLATE

ORDERING CODE

ILT3RP **G**

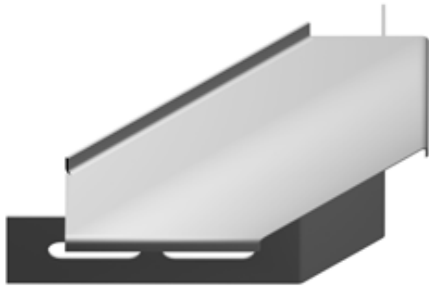
FINISH

- AL** ALUMINIUM
- G** PRE GAL
- H** HOT DIP GAL

Note: Order separately for installation (per splice plate)

2 Splices required per length of the tray.
Each Splice Plate requires 2 X IETFKH

ILT3 TRAY TX BRACKET



IMPRES
ILT3
TX BRACKET

ORDERING CODE

ILT3TX **G**

FINISH

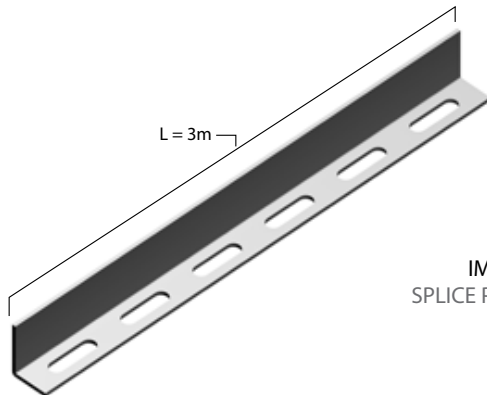
- AL** ALUMINIUM
- G** PRE GAL
- H** HOT DIP GAL

Note: Order Fasteners separately for installation (per TX Bracket)

2 TX Brackets required to make a Tee
and 4 required to make a cross.

Each TX Bracket requires 4 x ILT BOLT
and 4 x ILT NUT

ILT3 TRAY DIVIDER STRIP



IMPRES
SPLICE PLATE

ORDERING CODE

ILT3DS **G**

FINISH

- AL** ALUMINIUM
- G** PRE GAL
- H** HOT DIP GAL

Note: Order Fasteners separately for installation

Standard Length: 3m
Standard Finish: Galva bond

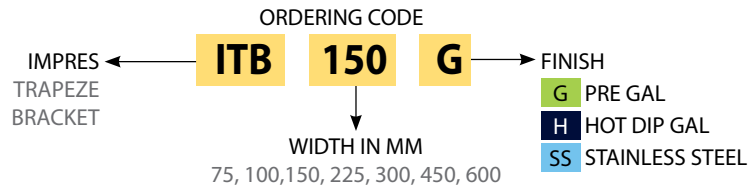
TRAY SYSTEMS

ILT3 TRAYS - ACCESSORIES

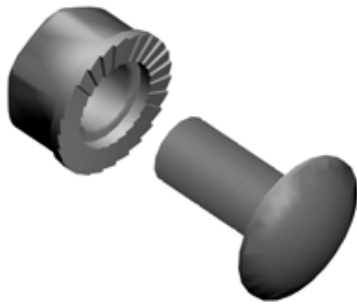
ILT3 TRAY TRAPEZE BRACKET



TRAPEZE BRACKETS are used to support the trays. These brackets come in cut sizes for all widths of trays. They are a good substitute to the traditional channels used and the pre cut slots enable the hold down brackets to easily connect to the tray.



ILT3 TRAY NUT & BOLT



Note: To order both items separately, please use the following order code

Bolt: ILT Bolt and **Nut:** ILT NUT

Specify ILTFKH when both parts are required.

IMPRES Splice Bolts have a smooth head to eliminate the risk of sheathing the metal during installation.

