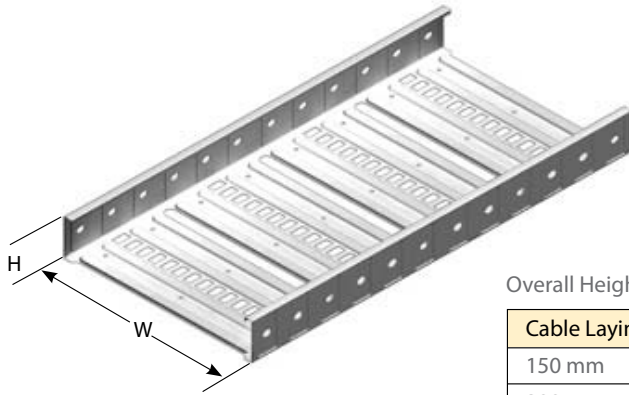


# TRAY SYSTEMS

## LT5 TRAYS

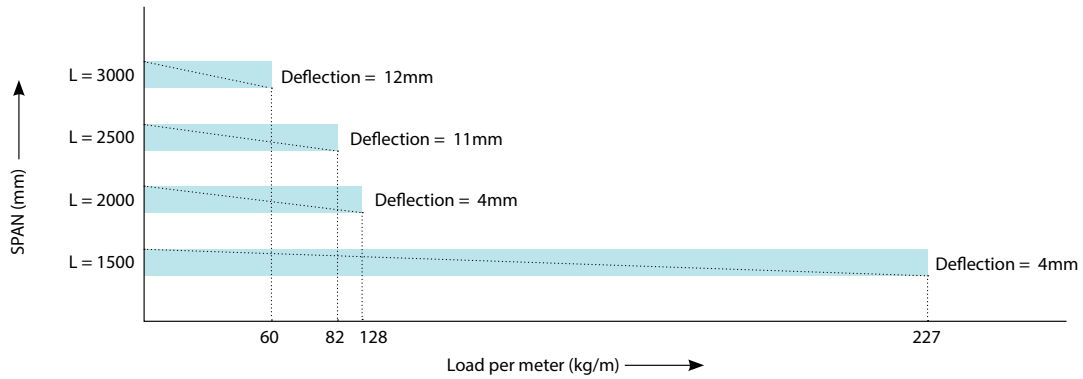


ILT5 has been tested in accordance to NEMA standards and the load ratings certified by NATA accredited testing facility.

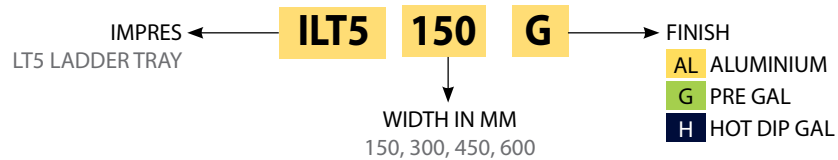
Overall Height (H)= 85mm Cable Laying Depth = 75mm

Cable Laying Width	Product Code	Overall Width (W)
150 mm	ILT5 150	172 mm
300 mm	ILT5 300	322 mm
450 mm	ILT5 450	472 mm
600 mm	ILT5 600	622 mm

## LOAD RATING AND DEFLECTION



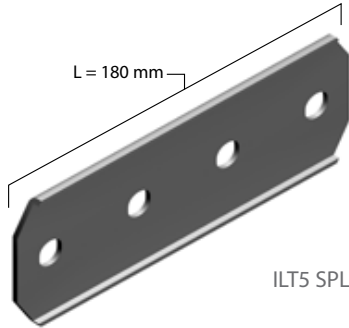
## LT5 TRAY ORDERING INFORMATION



# TRAY SYSTEMS

## ILT5 TRAYS - ACCESSORIES

### ILT5 SPLICE PLATE



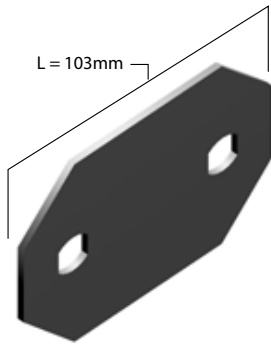
IMPRES  
ILT5 SPLICE PLATE

ORDERING CODE  
**ILT5SP** **G**

FINISH  
**AL** ALUMINIUM  
**G** PRE GAL  
**H** HOT DIP GAL

Note: Order separately for installation (per splice plate)  
2 Splices required per length of the tray.

### ILT5 RISER LINK PLATE



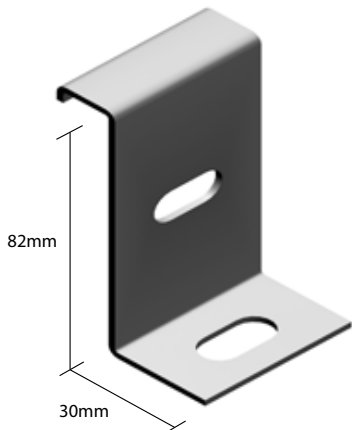
IMPRES  
ILT5 RISER LINK PLATE

ORDERING CODE  
**ILT5RL** **G**

FINISH  
**AL** ALUMINIUM  
**G** PRE GAL  
**H** HOT DIP GAL

Note: Order Fasteners separately for installation (per Riser Link)  
6 Riser Links are required to perform a 90 degree set.

### ILT5 HOLD DOWN BRACKET



IMPRES  
ILT5 HOLD DOWN BRACKET

ORDERING CODE  
**ILT5HDB** **G**

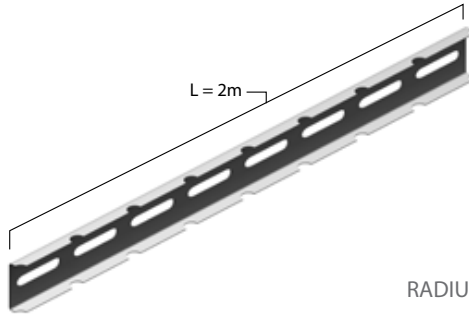
FINISH  
**AL** ALUMINIUM  
**G** PRE GAL  
**H** HOT DIP GAL

Note: Order separately for installation (per splice plate)  
2 Splices required per length of the tray.

# TRAY SYSTEMS

## ILT5 TRAYS - ACCESSORIES

### ILT5 TRAY RADIUS PLATE



IMPRES  
ILT5  
RADIUS PLATE

ORDERING CODE

**ILT5RP** **G**

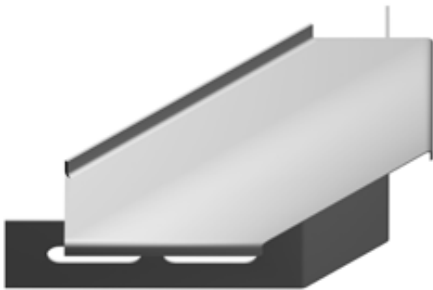
FINISH

- AL** ALUMINIUM
- G** PRE GAL
- H** HOT DIP GAL

**Note:** Order separately for installation (per splice plate)

2 Splices required per length of the tray.  
Each Splice Plate requires 2 X IETFKH

### ILT5 TRAY TX BRACKET



IMPRES  
ILT5TX  
BRACKET

ORDERING CODE

**ILT5TX** **G**

FINISH

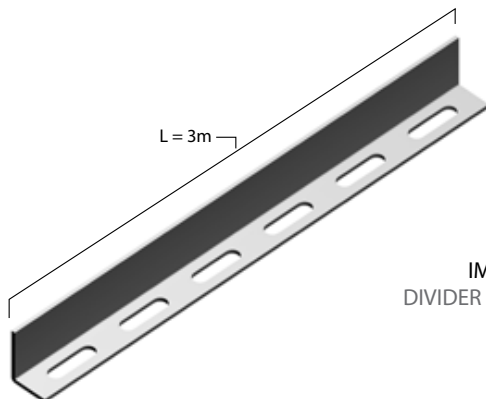
- AL** ALUMINIUM
- G** PRE GAL
- H** HOT DIP GAL

**Note:** Order Fasteners separately for installation ( per TX Bracket)

2 TX Brackets required to make a Tee  
and 4 required to make a cross.

Each TX Bracket requires 4 x ILT BOLT  
and 4 x ILT NUT

### ILT5 TRAY DIVIDER STRIP



IMPRES  
DIVIDER STRIP

ORDERING CODE

**ILT5DS** **G**

FINISH

- AL** ALUMINIUM
- G** PRE GAL
- H** HOT DIP GAL

**Note:** Order Fasteners separately for installation

Standard Length: 3m  
Standard Finish: Galva bond

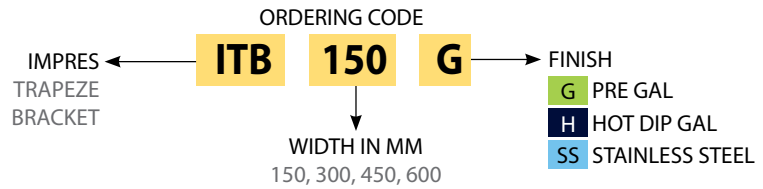
# TRAY SYSTEMS

## ILT5 TRAYS - ACCESSORIES

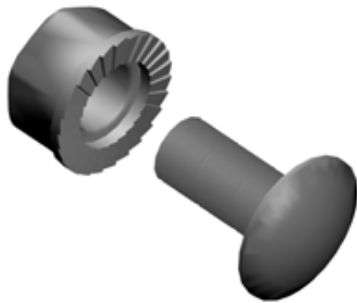
### ILT5 TRAY TRAPEZE BRACKET



TRAPEZE BRACKETS are used to support the trays. These brackets come in cut sizes for all widths of trays. They are a good substitute to the traditional channels used and the pre cut slots enable the hold down brackets to easily connect to the tray.



### ILT5 TRAY NUT & BOLT



**Note:** To order both items separately, please use the following order code  
Bolt: ILT Bolt and Nut: ILT NUT

Specify ILTFKH when both parts are required.

IMPRES Splice Bolts have a smooth head to eliminate the risk of sheathing the metal during installation.

