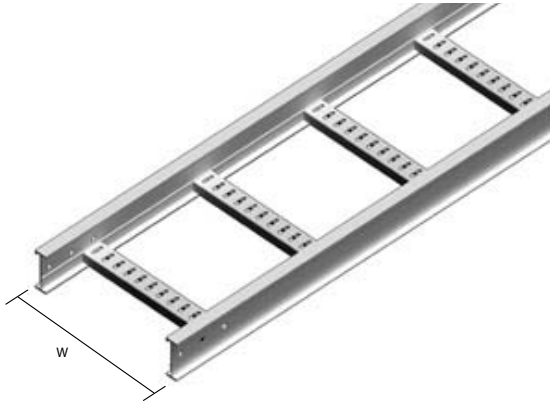


TRAY SYSTEMS

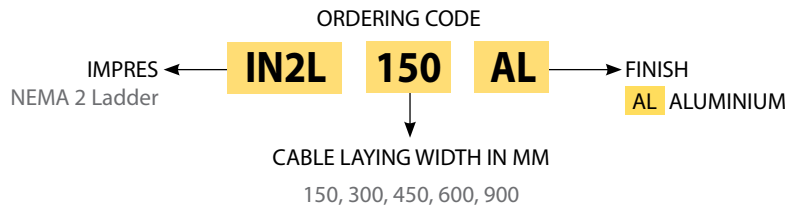
ALUMINIUM LADDERS

NEMA 2 LADDER [12A / 16A]

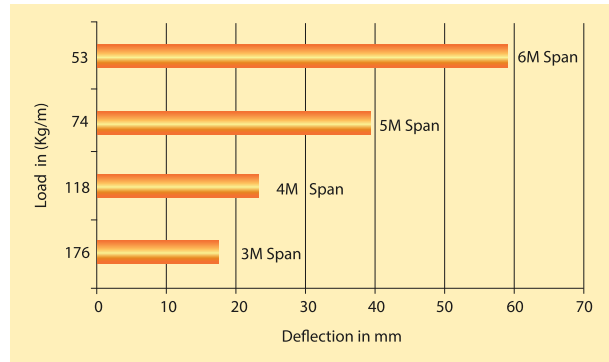
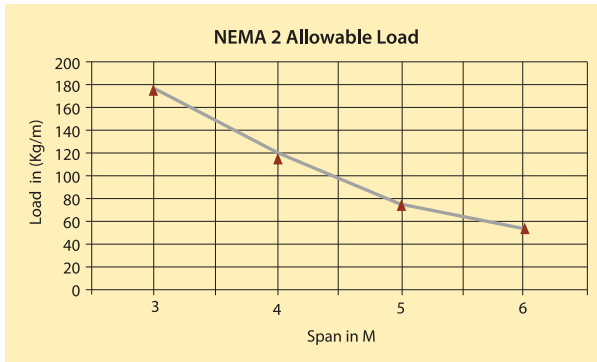


- Standard Length = 6m
- Overall Height = 100mm
- Cable Laying Depth = 75mm

NEMA 2 Ladder	Cable Laying Width (W)	Overall Width (W)
IN2L150AL	150	184 mm
IN2L300AL	300	334 mm
IN2L450AL	450	484 mm
IN2L600AL	600	634 mm
IN2L900AL	900	934 mm



NEMA 2 Load Deflection Charts

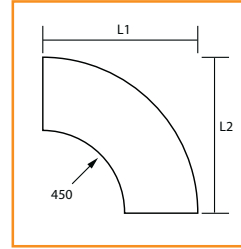


Note: Impres Nema Aluminium ladders are manufactured out of Aluminium 6063 alloys which are high extrudability alloys with capability to achieve T6 minimum properties with appropriate extrusion and press quenching conditions.

TRAY SYSTEMS

ALUMINIUM LADDERS

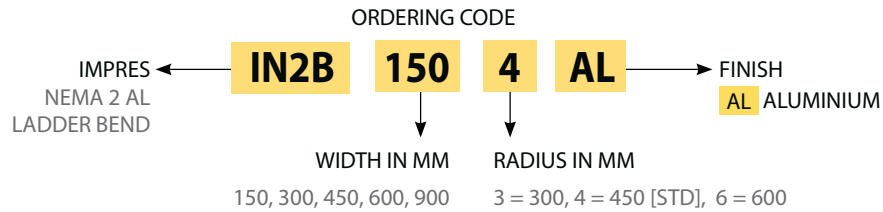
NEMA 2 ALUMINIUM LADDER BEND



NOTE: The Standard Radius for a NEMA 2 AL bend is 450mm. Other radius sizes are available on firm orders only

- Each NEMA 2 AL bend requires 8 x INLBOLTS AND INLNUTS

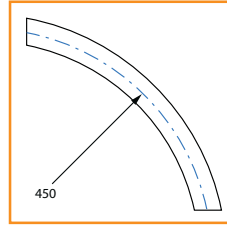
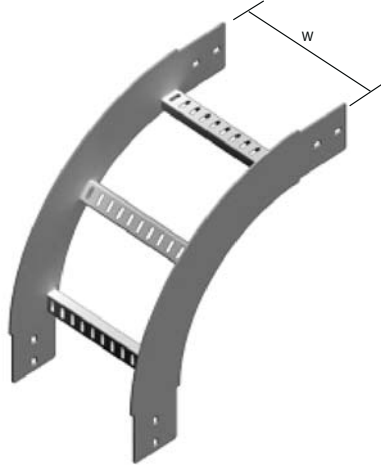
NEMA 2 Ladder	Width (W)	Length (L)
IN2B1504AL	150mm	600mm
IN2B3004AL	300mm	750mm
IN2B4504AL	450mm	900mm
IN2B6004AL	600mm	1050mm
IN2B9004AL	900mm	1350mm



TRAY SYSTEMS

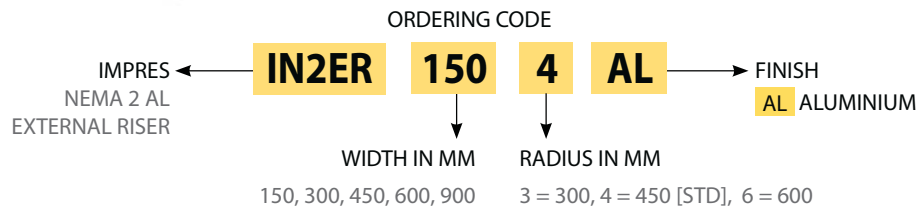
ALUMINIUM LADDERS

NEMA 2 ALUMINIUM EXTERNAL RISER

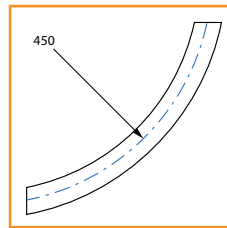
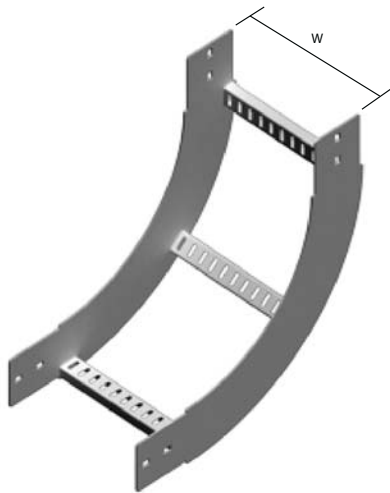


NOTE: The Standard Radius for a NEMA 2 Aluminium External Riser is 450mm. Other radius sizes are available on firm orders only

- Each NEMA 2 Aluminium External Riser requires 8 x INLBOLTS AND INLNUTS

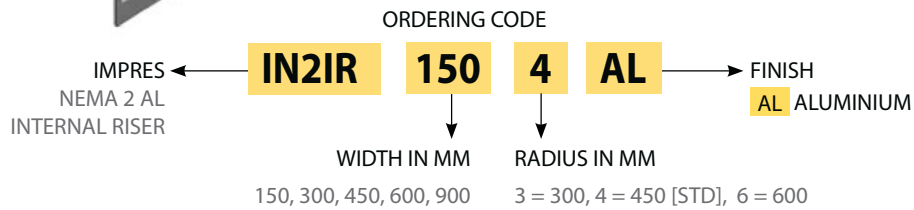


NEMA 2 ALUMINIUM INTERNAL RISER



NOTE: The Standard Radius for a NEMA 2 AL Internal Riser is 450mm. Other radius sizes are available on firm orders only

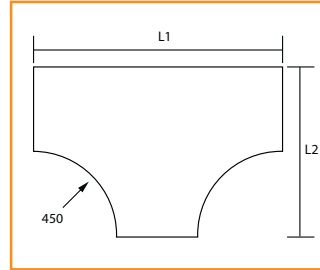
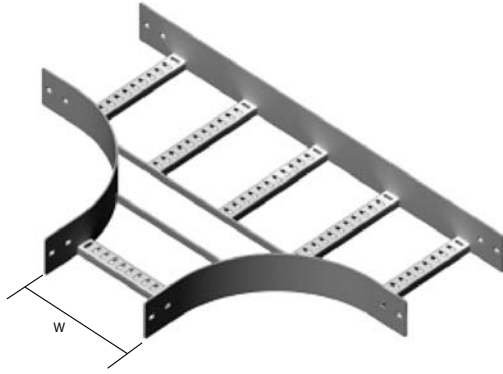
- Each NEMA 2 AL Internal Riser requires 8 x INLBOLTS AND INLNUTS



TRAY SYSTEMS

ALUMINIUM LADDERS

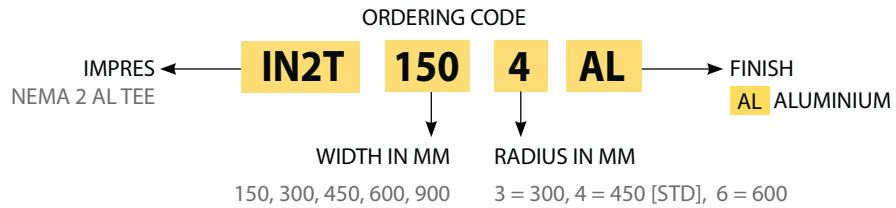
NEMA 2 ALUMINIUM LADDER TEE



NOTE: The Standard Radius for a NEMA 2 AL TEE is 450mm. Other radius sizes are available on firm orders only

- Each NEMA 2 AL External Riser requires 12 x INLBOLTS AND INLNUTS

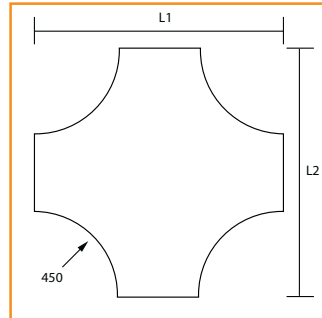
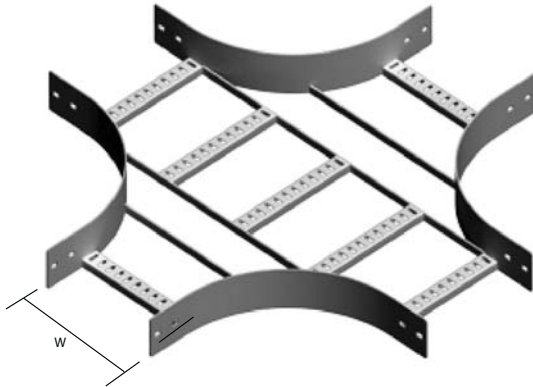
NEMA 2 Ladder	Width (W)	Length (L1)	Length (L2)
IN2T1504AL	150	1050mm	600mm
IN2T3004AL	300	1200mm	750mm
IN2T4504AL	450	1350mm	900mm
IN2T6004AL	600	1500mm	1050mm
IN2T9004AL	900	1800mm	1350mm



TRAY SYSTEMS

ALUMINIUM LADDERS

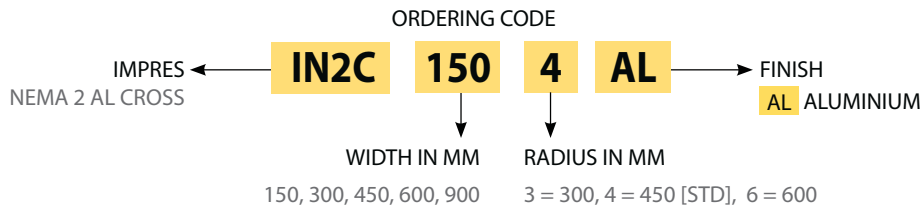
NEMA 2 ALUMINIUM LADDER CROSS



NOTE: The Standard Radius for a NEMA 2 AL Cross is 450mm. Other radius sizes are available on firm orders only

- Each NEMA 2 AL Cross requires 16 x INLBOLTS AND INLNUTS

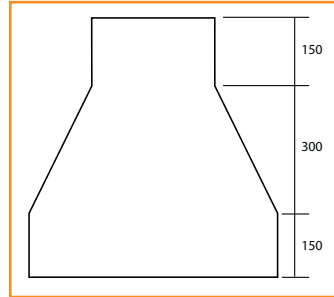
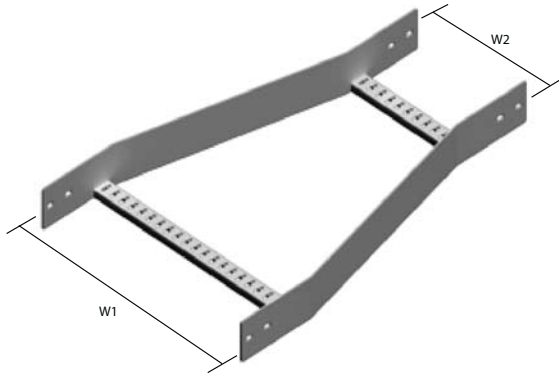
NEMA 2 Ladder	Width (W)	Length (L1/L2)
IN2C1504AL	150mm	1050mm
IN2C3004AL	300mm	1200mm
IN2C4504AL	450mm	1350mm
IN2C6004AL	600mm	1500mm
IN2C9004AL	900mm	1800mm



TRAY SYSTEMS

ALUMINIUM LADDERS

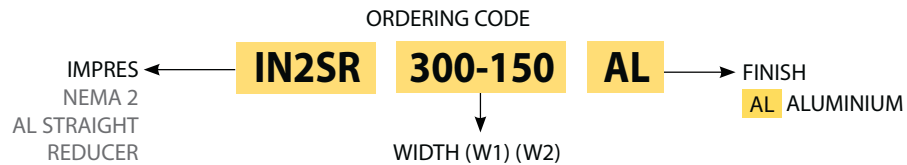
NEMA 2 ALUMINIUM LADDER STRAIGHT REDUCER



IMPORTANT: The NEMA 2 AL Ladder Reducer is available on firm orders only

- Each NEMA 2 AL Straight Reducer requires 8 x INLBOLTS AND INLNUTS

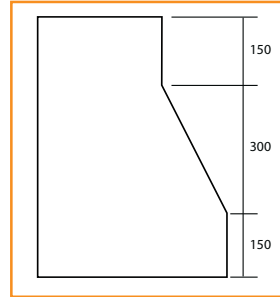
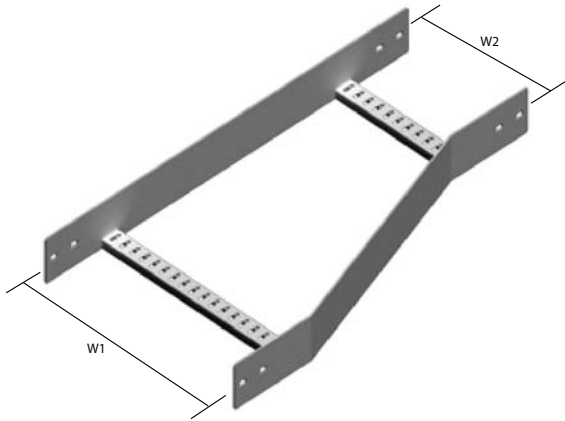
NEMA 2 Ladder	Width (W1)	Width (W2)
IN2SR300-150	300	150
IN2SR450-150	450	150
IN2SR450-300	450	300
IN2SR600-150	600	150
IN2SR600-300	600	300
IN2SR600-450	600	450
IN2SR900-150	900	150
IN2SR900-300	900	300
IN2SR900-450	900	450
IN2SR900-600	900	600



TRAY SYSTEMS

ALUMINIUM LADDERS

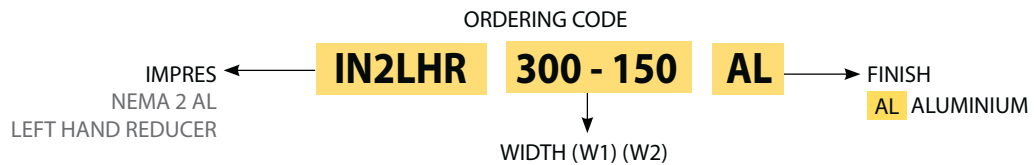
NEMA 2 ALUMINIUM LEFT HAND REDUCER



IMPORTANT: The NEMA 2 Aluminium Ladder Left Hand Reducer is available on firm orders only

- Each NEMA 2 Aluminium Ladder Left Hand Reducer requires requires 8 x INLBOLTS AND INLNUTS

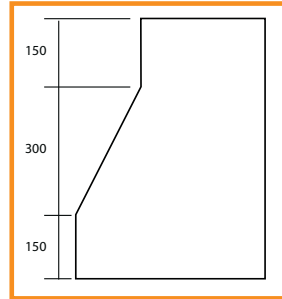
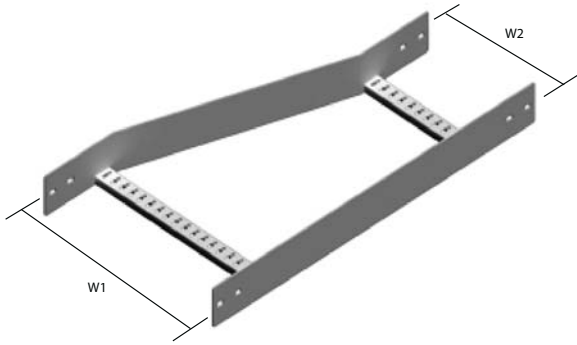
NEMA 2 Ladder	Width (W1)	Width (W2)
IN2LHR300-150	300	150
IN2LHR450-150	450	150
IN2LHR450-300	450	300
IN2LHR600-150	600	150
IN2LHR600-300	600	300
IN2LHR600-450	600	450
IN2LHR900-150	900	150
IN2LHR900-300	900	300
IN2LHR900-450	900	450
IN2LHR900-600	900	600



TRAY SYSTEMS

ALUMINIUM LADDERS

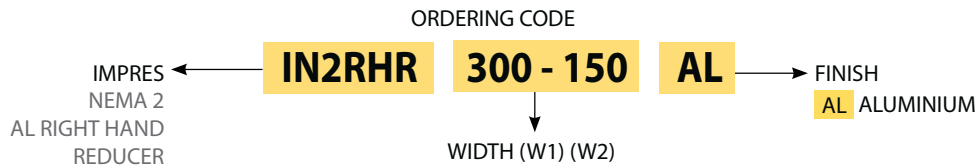
NEMA 2 ALUMINIUM RIGHT HAND REDUCER



IMPORTANT: The NEMA 2 Aluminium Ladder Right Hand Reducer is available on firm orders only

- Each NEMA 2 Aluminium Ladder Right Hand Reducer requires 8 x INLBOLTS AND INLNUTS

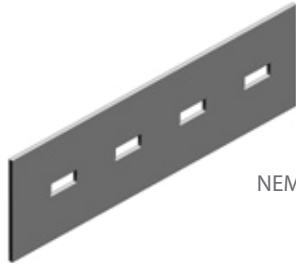
NEMA 2 Ladder	Width (W1)	Width (W2)
IN2RHR300-150	300	150
IN2RHR450-150	450	150
IN2RHR450-300	450	300
IN2RHR600-150	600	150
IN2RHR600-300	600	300
IN2RHR600-450	600	450
IN2RHR900-150	900	150
IN2RHR900-300	900	300
IN2RHR900-450	900	450
IN2RHR900-600	900	600



TRAY SYSTEMS

ALUMINIUM LADDERS

NEMA 2 ALUMINIUM SPLICE PLATE



IMPRES ← **IN2S** **AL** → FINISH
NEMA 2 SPLICE PLATE AL ALUMINIUM

NEMA 2 ALUMINIUM VERTICAL SPLICE PLATE



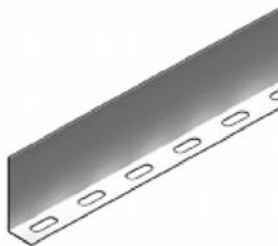
IMPRES ← **IN2VS** **AL** → FINISH
NEMA 2 VERTICAL SPLICE PLATE AL ALUMINIUM

NEMA 2 ALUMINIUM HORIZONTAL SPLICE PLATE



IMPRES ← **IN2HS** **AL** → FINISH
NEMA 2 HORIZONTAL SPLICE PLATE AL ALUMINIUM

NEMA 2 ALUMINIUM DIVIDER STRIP

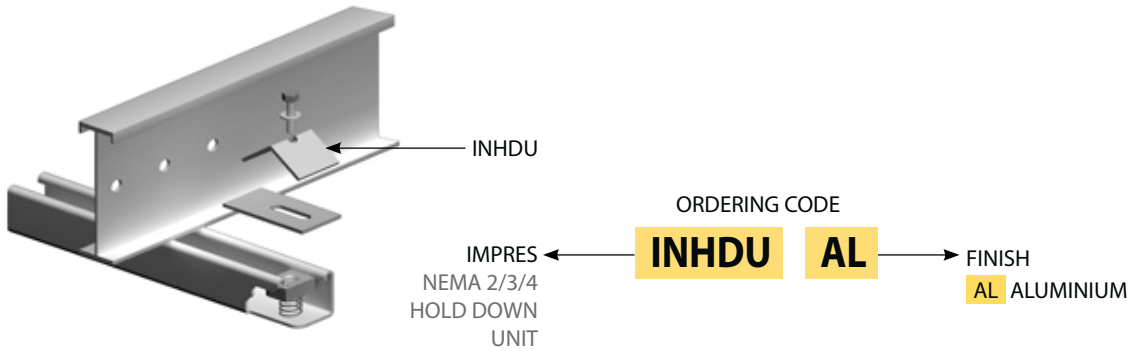


IMPRES ← **IN2DS** **AL** → FINISH
NEMA 2 DIVIDER STRIP AL ALUMINIUM

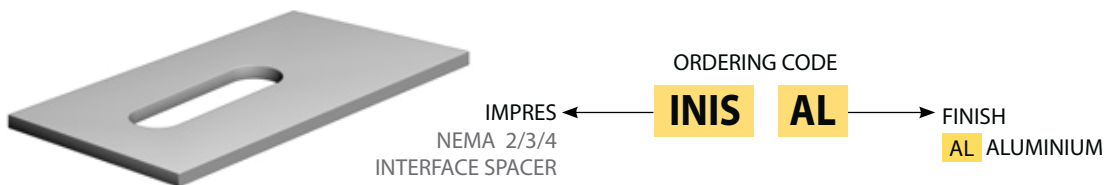
TRAY SYSTEMS

ALUMINIUM LADDERS

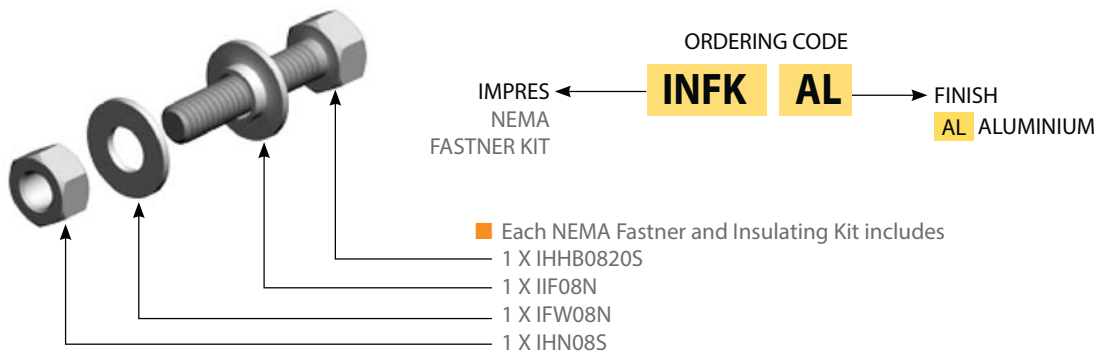
NEMA HOLD DOWN UNIT



NEMA ALUMINIUM INSULATION SPACER



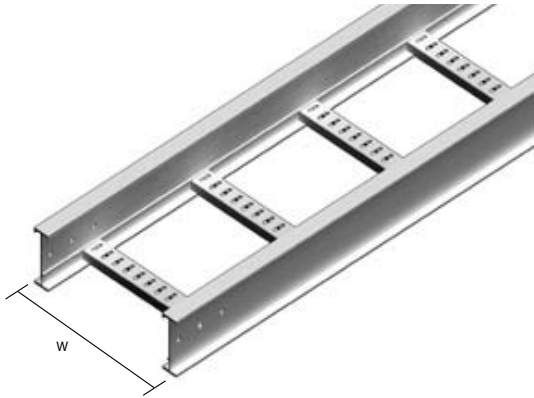
NEMA FASTNER & INSULATING KIT



TRAY SYSTEMS

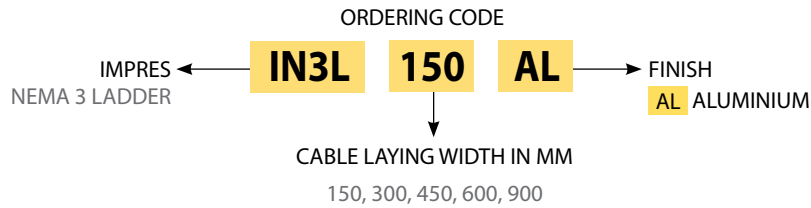
ALUMINIUM LADDERS

NEMA 3 ALUMINIUM LADDER [20B]

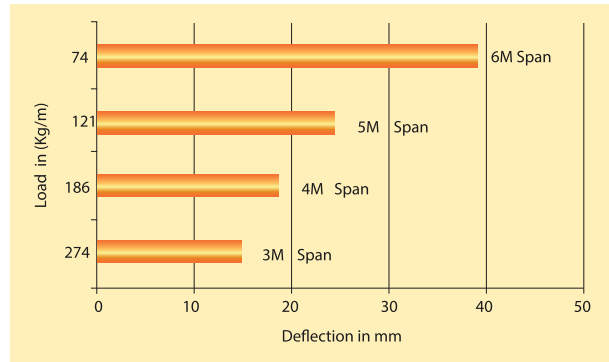
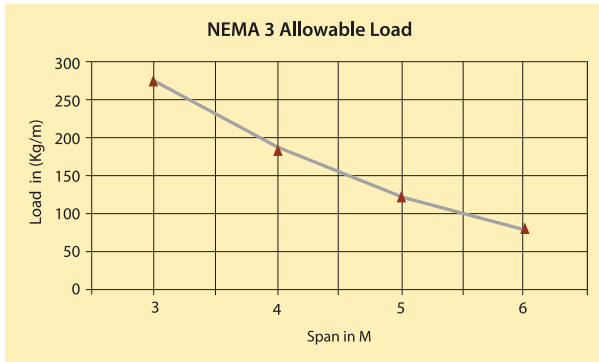


- Standard Length = 6m
- Overall Height = 120mm
- Cable Laying Depth = 95mm

NEMA 3 Ladder	Cable Laying Width (W)	Overall Width (W)
IN3L150AL	150	184 mm
IN3L300AL	300	334 mm
IN3L450AL	450	484 mm
IN3L600AL	600	634 mm
IN3L900AL	900	934 mm



NEMA 3 Load Deflection Charts

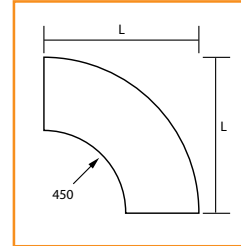


Note: Impres Nema Aluminium ladders are manufactured out of Aluminium 6063 alloys which are high extrudability alloys with capability to achieve T6 minimum properties with appropriate extrusion and press quenching conditions.

TRAY SYSTEMS

ALUMINIUM LADDERS

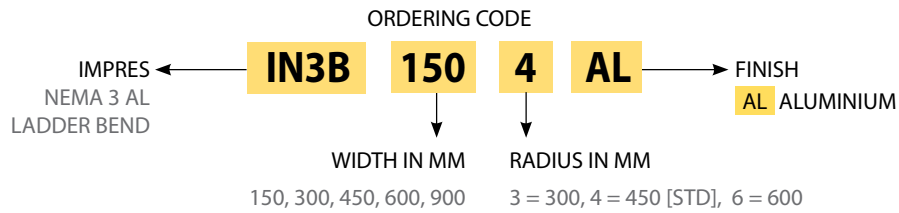
NEMA 3 ALUMINIUM LADDER BEND



NOTE: The Standard Radius for a NEMA 3 Aluminium bend is 450mm. Other radius sizes are available on firm orders only

■ Each NEMA 3 Aluminium bend requires 8 x INLBOLT-S AND INLNUT-S

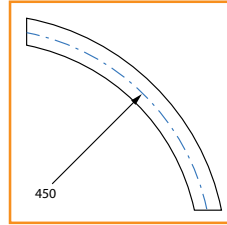
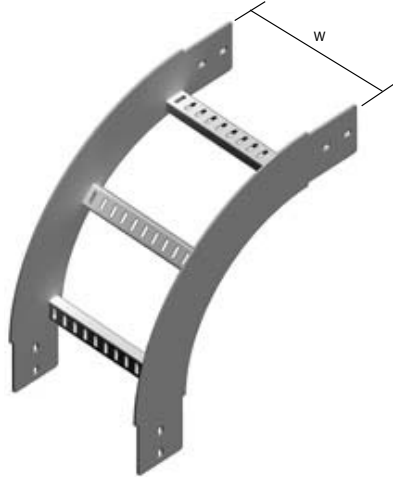
NEMA 3 Ladder	Width (W)	Length (L)
IN3B1504AL	150mm	600mm
IN3B3004AL	300mm	750mm
IN3B4504AL	450mm	900mm
IN3B6004AL	600mm	1050mm
IN3B9004AL	900mm	1350mm



TRAY SYSTEMS

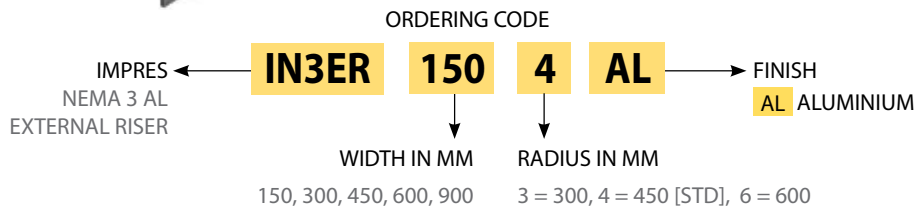
ALUMINIUM LADDERS

NEMA 3 ALUMINIUM EXTERNAL RISER

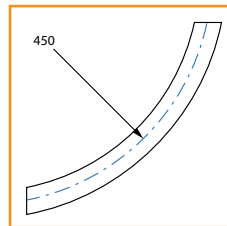
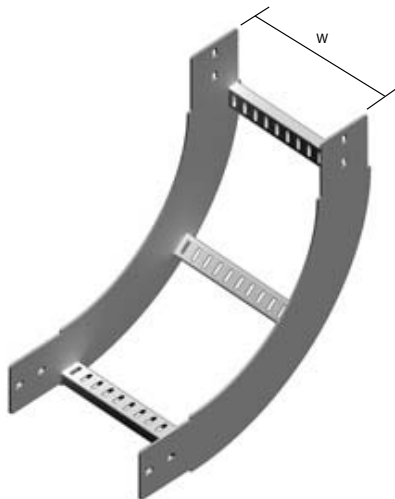


NOTE: The Standard Radius for a NEMA 3 Aluminium External Riser is 450mm. Other radius sizes are available on firm orders only

Each NEMA 3 Aluminium External Riser requires 8 x INLBOLT-S AND INLNUT-S

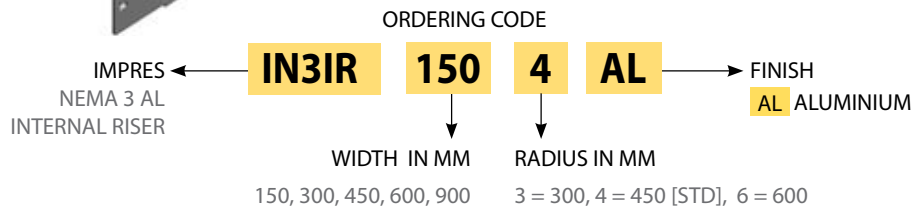


NEMA 3 ALUMINIUM INTERNAL RISER



NOTE: The Standard Radius for a NEMA 3 Aluminium Internal Riser is 450mm. Other radius sizes are available on firm orders only

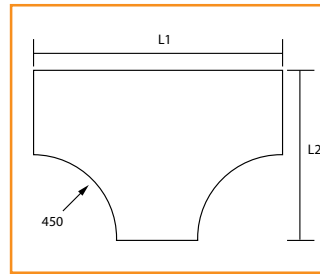
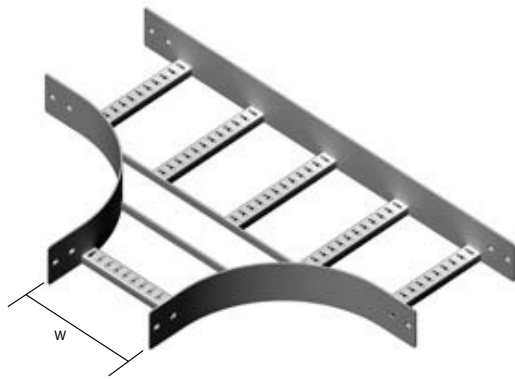
Each NEMA 3 Aluminium Internal Riser requires 8 x INLBOLT-S AND INLNUT-S



TRAY SYSTEMS

ALUMINIUM LADDERS

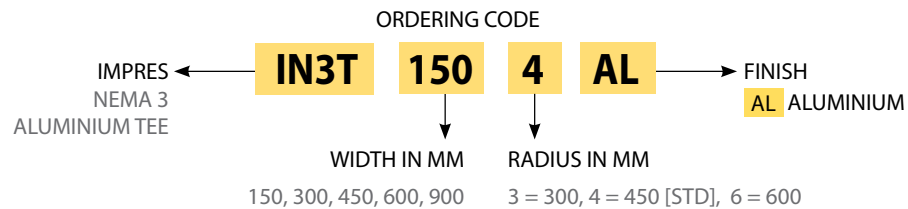
NEMA 3 ALUMINIUM LADDER TEE



NOTE: The Standard Radius for a NEMA 3 Aluminium TEE is 450mm. Other radius sizes are available on firm orders only

- Each NEMA 3 Aluminium External Riser requires 12 x INLBOLT-S AND INLNUT-S

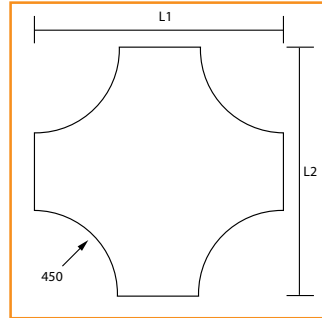
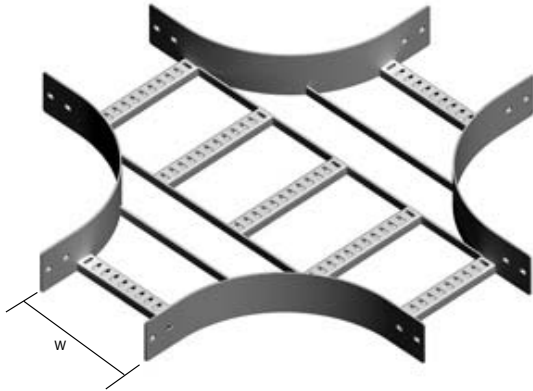
NEMA 3 Ladder	Width (W)	Length (L1)	Length (L2)
IN3T1504AL	150	1050mm	600mm
IN3T3004AL	300	1200mm	750mm
IN3T4504AL	450	1350mm	900mm
IN3T6004AL	600	1500mm	1050mm
IN3T9004AL	900	1800mm	1350mm



TRAY SYSTEMS

ALUMINIUM LADDERS

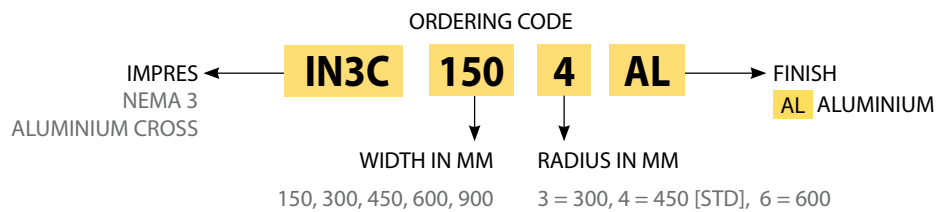
NEMA 3 ALUMINIUM LADDER CROSS



NOTE: The Standard Radius for a NEMA 3 Aluminium Cross is 450mm. Other radius sizes are available on firm orders only

■ Each NEMA 3 Aluminium Cross requires 16 x INLBOLT-S AND INLNUT-S

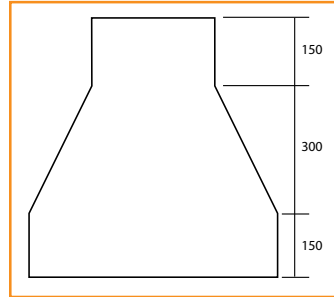
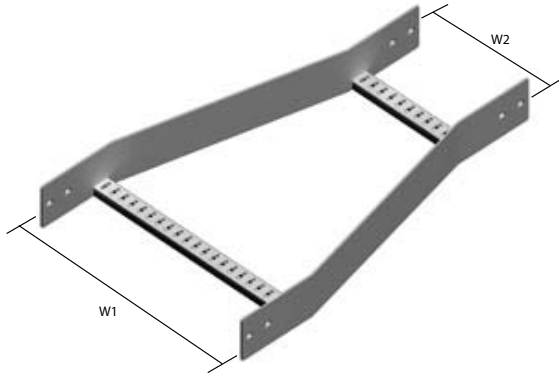
NEMA 3 Ladder	Width (W)	Length (L1/L2)
IN3C1504AL	150mm	1050mm
IN3C3004AL	300mm	1200mm
IN3C4504AL	450mm	1350mm
IN3C6004AL	600mm	1500mm
IN3C9004AL	900mm	1800mm



TRAY SYSTEMS

ALUMINIUM LADDERS

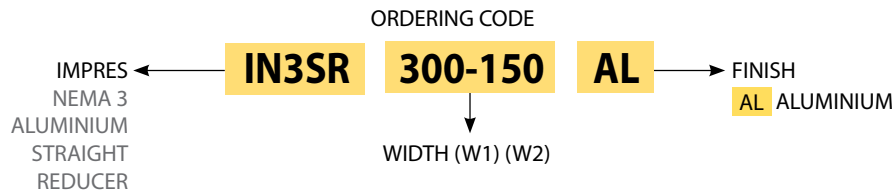
NEMA 3 ALUMINIUM LADDER STRAIGHT REDUCER



IMPORTANT: The NEMA 3 Aluminium Ladder Reducer is available on firm orders only

- Each NEMA 3 Aluminium Straight Reducer requires 8 x INLBOLT-S AND INLNUT-S

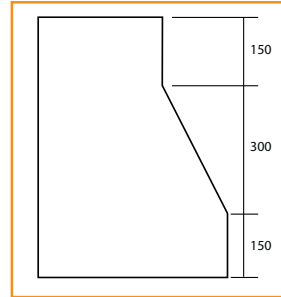
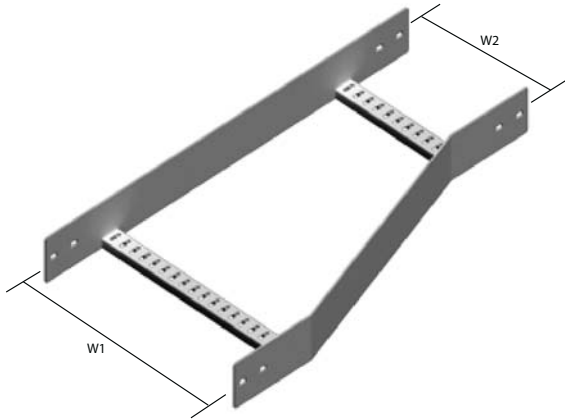
NEMA 3 Ladder	Width (W1)	Width (W2)
IN3SR300-150	300	150
IN3SR450-150	450	150
IN3SR450-300	450	300
IN3SR600-150	600	150
IN3SR600-300	600	300
IN3SR600-450	600	450
IN3SR900-150	900	150
IN3SR900-300	900	300
IN3SR900-450	900	450
IN3SR900-600	900	600



TRAY SYSTEMS

ALUMINIUM LADDERS

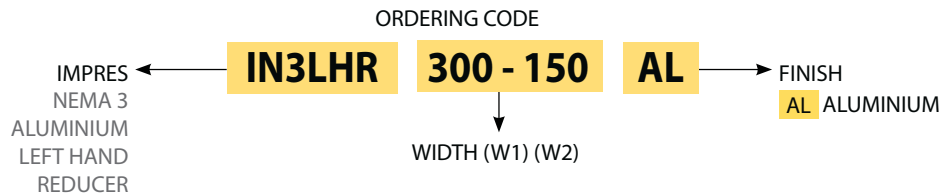
NEMA 3 ALUMINIUM LEFT HAND REDUCER



IMPORTANT: The NEMA 3 Aluminium Ladder Left Hand Reducer is available on firm orders only

- Each NEMA 3 Aluminium Ladder Left Hand Reducer requires 8 x INLBOLT-S AND INLNUT-S

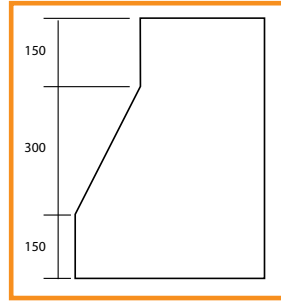
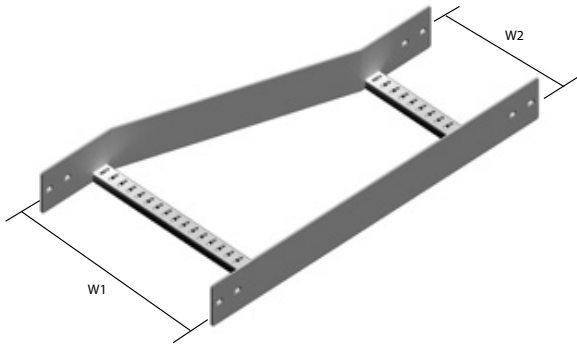
NEMA 3 Ladder	Width (W1)	Width (W2)
IN3LHR300-150	300	150
IN3LHR450-150	450	150
IN3LHR450-300	450	300
IN3LHR600-150	600	150
IN3LHR600-300	600	300
IN3LHR600-450	600	450
IN3LHR900-150	900	150
IN3LHR900-300	900	300
IN3LHR900-450	900	450
IN3LHR900-600	900	600



TRAY SYSTEMS

ALUMINIUM LADDERS

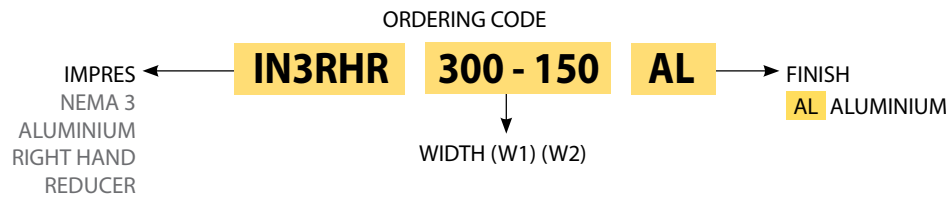
NEMA 3 ALUMINIUM RIGHT HAND REDUCER



IMPORTANT: The NEMA 3 Aluminium Right Hand Reducer is available on firm orders only

- Each NEMA 3 Aluminium Ladder Right Hand Reducer requires 8 x INLBOLT-S AND INLNUT-S

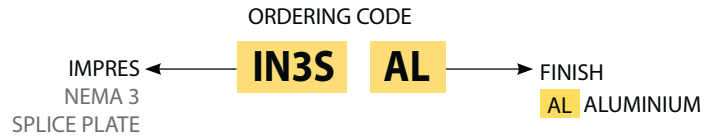
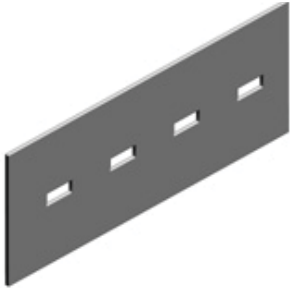
NEMA 3 Ladder	Width (W1)	Width (W2)
IN3RHR300-150	300	150
IN3RHR450-150	450	150
IN3RHR450-300	450	300
IN3RHR600-150	600	150
IN3RHR600-300	600	300
IN3RHR600-450	600	450
IN3RHR900-150	900	150
IN3RHR900-300	900	300
IN3RHR900-450	900	450
IN3RHR900-600	900	600



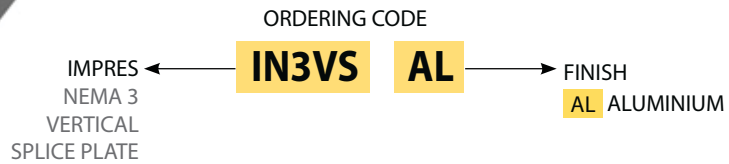
TRAY SYSTEMS

ALUMINIUM LADDERS

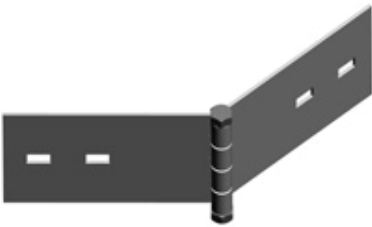
NEMA 3 ALUMINIUM SPLICE PLATE



NEMA 3 ALUMINIUM VERTICAL SPLICE PLATE



NEMA 3 ALUMINIUM HORIZONTAL SPLICE PLATE



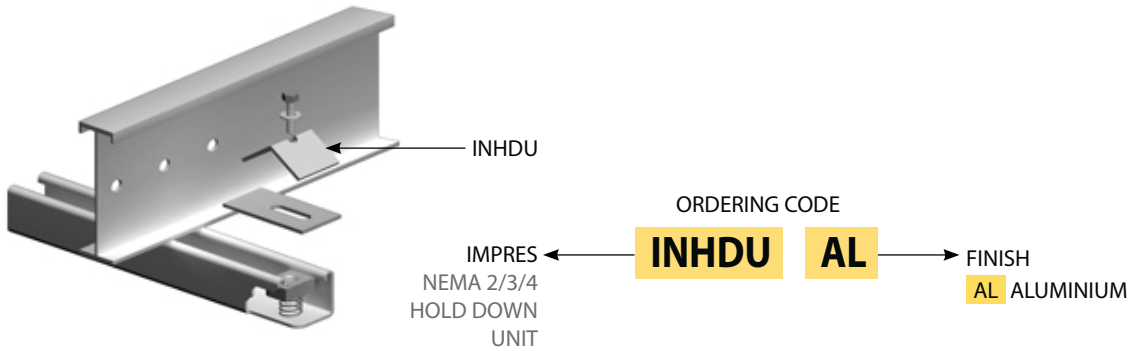
NEMA 3 ALUMINIUM DIVIDER STRIP



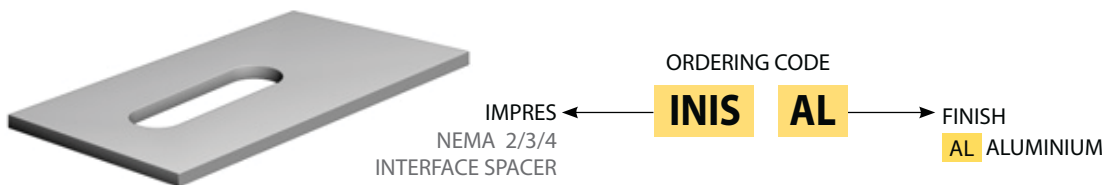
TRAY SYSTEMS

ALUMINIUM LADDERS

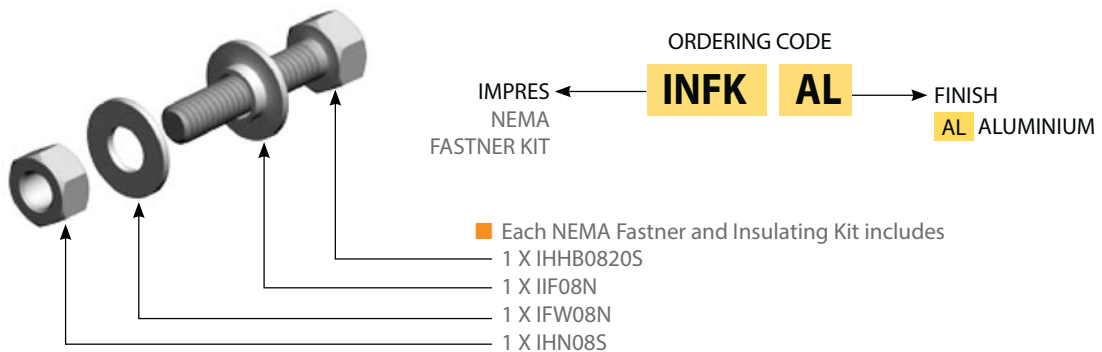
NEMA HOLD DOWN UNIT



NEMA ALUMINIUM INSULATION SPACER



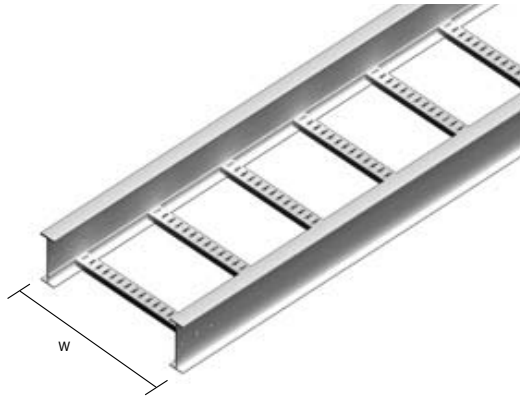
NEMA FASTNER & INSULATING KIT



TRAY SYSTEMS

ALUMINIUM LADDERS

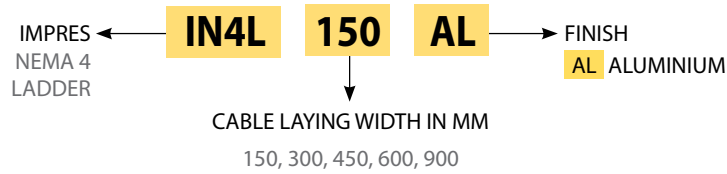
NEMA 4 LADDER [20C]



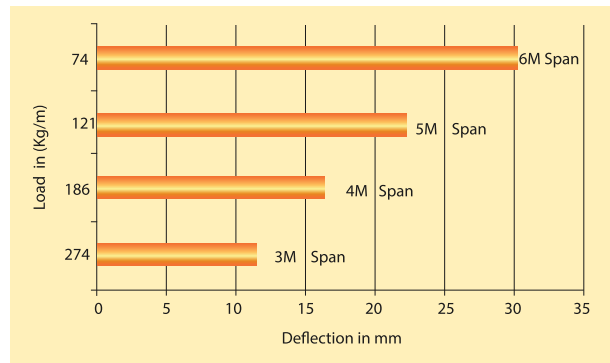
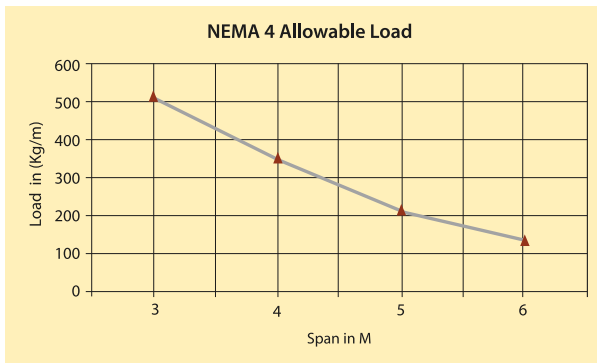
- Standard Length = 6m
- Overall Height = 150mm
- Cable Laying Depth = 125mm

NEMA 4 Ladder	Cable Laying Width (W)	Overall Width (W)
IN4L150AL	150	200 mm
IN4L300AL	300	350 mm
IN4L450AL	450	500 mm
IN4L600AL	600	650 mm
IN4L900AL	900	950 mm

ORDERING CODE



NEMA 4 Load Deflection Charts

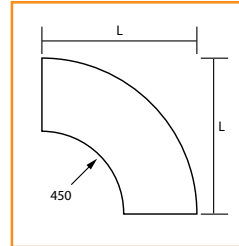


Note: Impres Nema Aluminium ladders are manufactured out of Aluminium 6063 alloys which are high extrudability alloys with capability to achieve T6 minimum properties with appropriate extrusion and press quenching conditions.

TRAY SYSTEMS

ALUMINIUM LADDERS

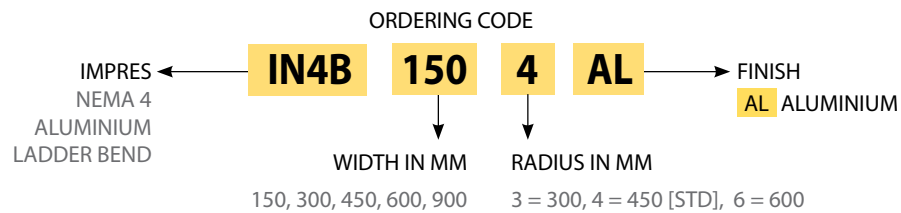
NEMA 4 ALUMINIUM LADDER BEND



NOTE: The Standard Radius for a NEMA 4 Aluminium bend is 450mm. Other radius sizes are available on firm orders only

- Each NEMA 4 Aluminium bend requires 8 x INLBOLTS AND INLNUTS

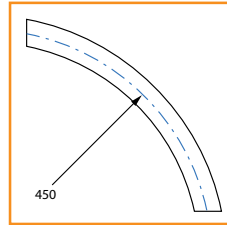
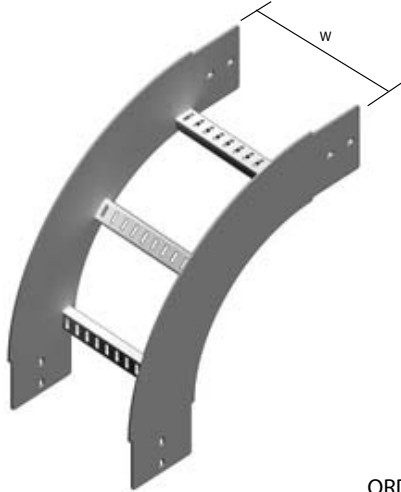
NEMA 4 Ladder	Width (W)	Length (L)
IN4B1504AL	150mm	600mm
IN4B3004AL	300mm	750mm
IN4B4504AL	450mm	900mm
IN4B6004AL	600mm	1050mm
IN4B9004AL	900mm	1350mm



TRAY SYSTEMS

ALUMINIUM LADDERS

NEMA 4 ALUMINIUM EXTERNAL RISER



NOTE: The Standard Radius for a NEMA 4 Aluminium External Riser is 450mm. Other radius sizes are available on firm orders only

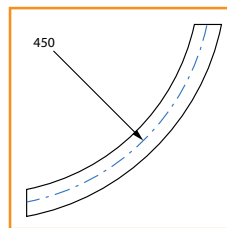
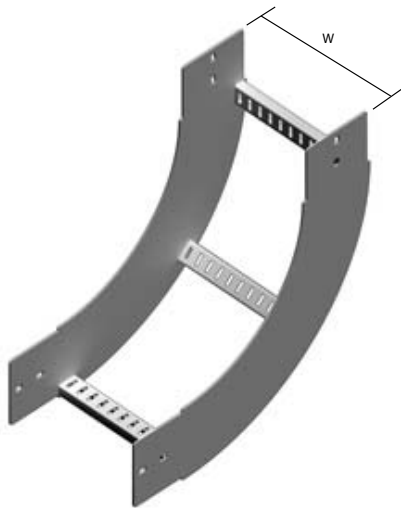
- Each NEMA 4 Aluminium External Riser requires 8 x INLBOLT-S AND INLNUT-S

ORDERING CODE

IMPRES ← **IN4ER** **150** **4** **AL** → FINISH
NEMA 4 ALUMINIUM EXTERNAL RISER **AL** ALUMINIUM

WIDTH IN MM RADIUS IN MM
150, 300, 450, 600, 900 3 = 300, 4 = 450 [STD], 6 = 600

NEMA 4 ALUMINIUM INTERNAL RISER



NOTE: The Standard Radius for a NEMA 4 Aluminium Internal Riser is 450mm. Other radius sizes are available on firm orders only

- Each NEMA 4 Aluminium Internal Riser requires 8 x INLBOLT-S AND INLNUT-S

ORDERING CODE

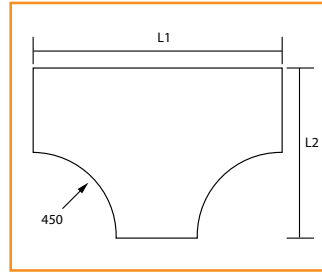
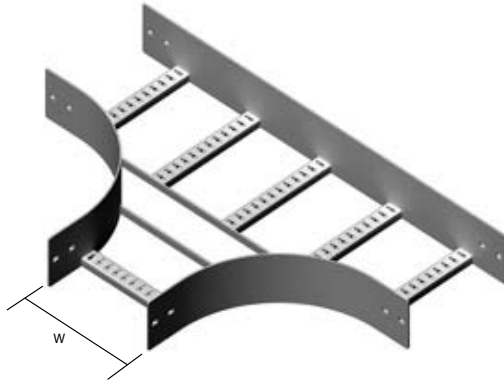
IMPRES ← **IN4IR** **150** **4** **AL** → FINISH
NEMA 4 ALUMINIUM INTERNAL RISER **AL** ALUMINIUM

WIDTH IN MM RADIUS IN MM
150, 300, 450, 600, 900 3 = 300, 4 = 450 [STD], 6 = 600

TRAY SYSTEMS

ALUMINIUM LADDERS

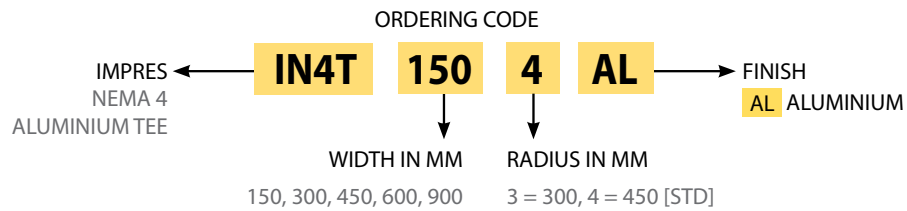
NEMA 4 ALUMINIUM LADDER TEE



NOTE: The Standard Radius for a NEMA 4 Aluminium TEE is 450mm. Other radius sizes are available on firm orders only

- Each NEMA 4 Aluminium External Riser requires 12 x INLBOLT-S AND INLNUT-S

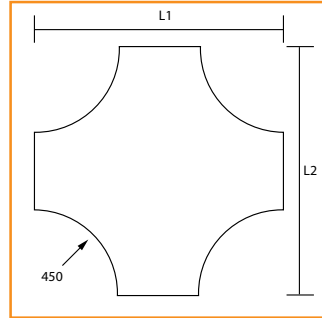
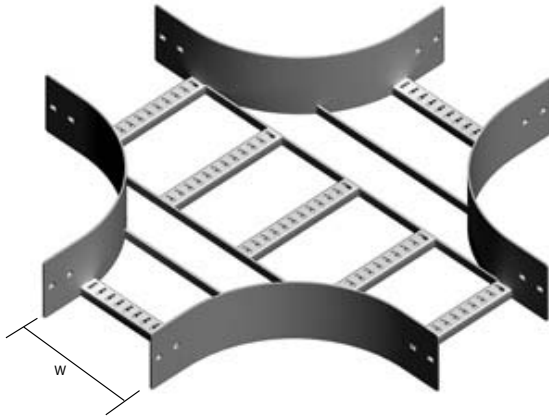
NEMA 4 Ladder	Width (W)	Length (L1)	Length (L2)
IN4T1504AL	150	1050mm	600mm
IN4T3004AL	300	1200mm	750mm
IN4T4504AL	450	1350mm	900mm
IN4T6004AL	600	1500mm	1050mm
IN4T9004AL	900	1800mm	1350mm



TRAY SYSTEMS

ALUMINIUM LADDERS

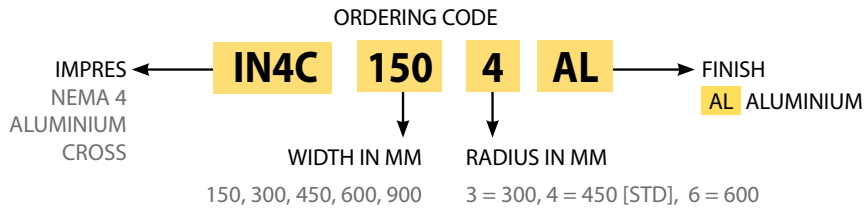
NEMA 4 ALUMINIUM LADDER CROSS



NOTE: The Standard Radius for a NEMA 4 Aluminium Cross is 450mm. Other radius sizes are available on firm orders only

■ Each NEMA 4 Aluminium Cross requires 16 x INLBOLT-S AND INLNUT-S

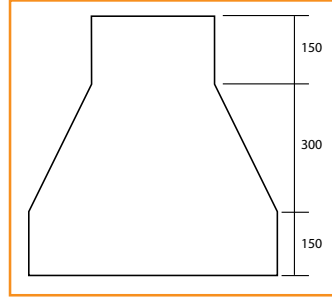
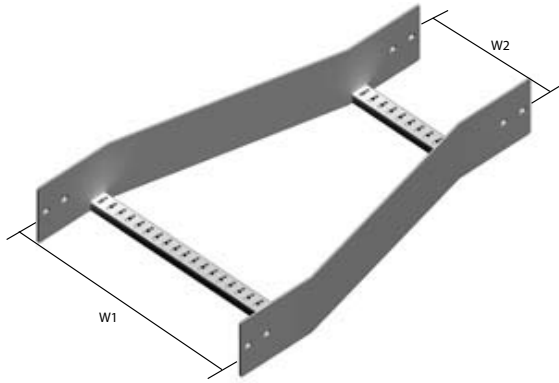
NEMA 4 Ladder	Width (W)	Length (L1/L2)
IN4C1504AL	150mm	1050mm
IN4C3004AL	300mm	1200mm
IN4C4504AL	450mm	1350mm
IN4C6004AL	600mm	1500mm
IN4C9004AL	900mm	1800mm



TRAY SYSTEMS

ALUMINIUM LADDERS

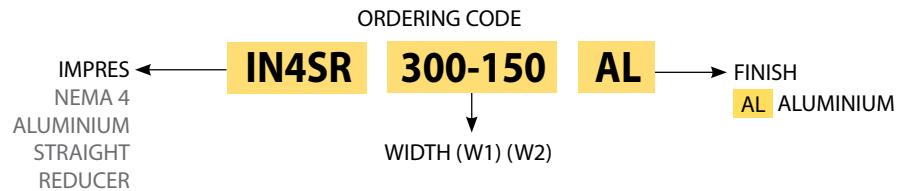
NEMA 4 ALUMINIUM LADDER STRAIGHT REDUCER



IMPORTANT: The NEMA 4 Aluminium Ladder Reducer is available on firm orders only

- Each NEMA 4 Aluminium Straight Reducer requires 8 x INLBOLTS AND INLNUTS

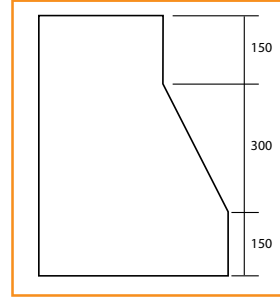
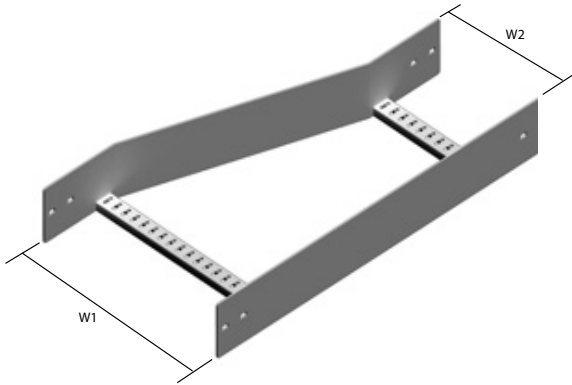
NEMA 4 Ladder	Width (W1)	Width (W2)
IN4SR300-150	300	150
IN4SR450-150	450	150
IN4SR450-300	450	300
IN4SR600-150	600	150
IN4SR600-300	600	300
IN4SR600-450	600	450
IN4SR900-150	900	150
IN4SR900-300	900	300
IN4SR900-450	900	450
IN4SR900-600	900	600



TRAY SYSTEMS

ALUMINIUM LADDERS

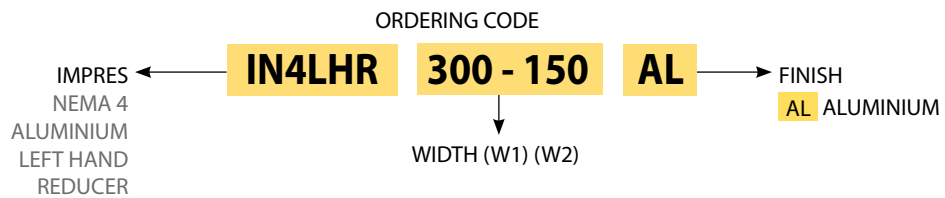
NEMA 4 ALUMINIUM LEFT HAND REDUCER



IMPORTANT: The NEMA 4 Aluminium Ladder Left Hand Reducer is available on firm orders only

- Each NEMA 4 Aluminium Ladder Left Hand Reducer requires requires 8 x INLBOLTS AND INLNUTS

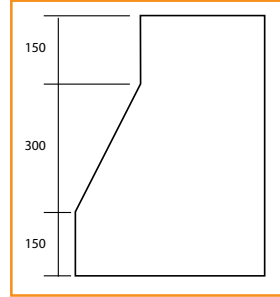
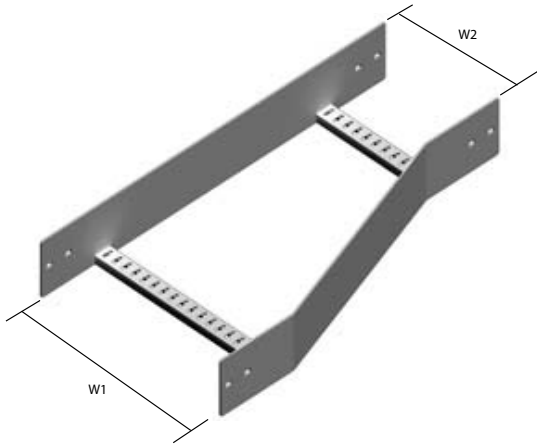
NEMA 4 Ladder	Width (W1)	Width (W2)
IN4LHR300-150	300	150
IN4LHR450-150	450	150
IN4LHR450-300	450	300
IN4LHR600-150	600	150
IN4LHR600-300	600	300
IN4LHR600-450	600	450
IN4LHR900-150	900	150
IN4LHR900-300	900	300
IN4LHR900-450	900	450
IN4LHR900-600	900	600



TRAY SYSTEMS

ALUMINIUM LADDERS

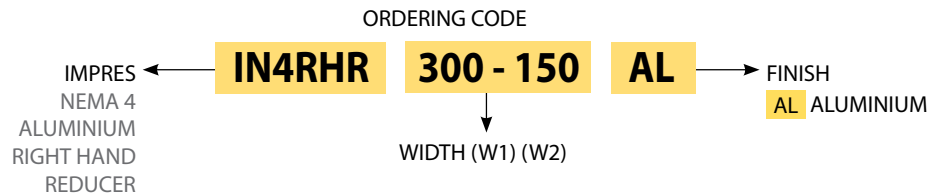
NEMA 4 ALUMINIUM RIGHT HAND REDUCER



IMPORTANT: The NEMA 4 Aluminium Ladder Right Hand Reducer is available on firm orders only

- Each NEMA 4 Aluminium Ladder Right Hand Reducer requires 8 x INLBOLT-S AND INLNUT-S

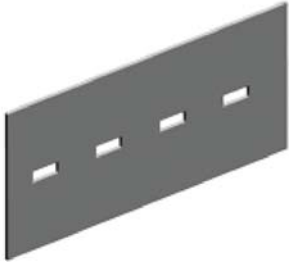
NEMA 4 Ladder	Width (W1)	Width (W2)
IN4RHR300-150	300	150
IN4RHR450-150	450	150
IN4RHR450-300	450	300
IN4RHR600-150	600	150
IN4RHR600-300	600	300
IN4RHR600-450	600	450
IN4RHR900-150	900	150
IN4RHR900-300	900	300
IN4RHR900-450	900	450
IN4RHR900-600	900	600



TRAY SYSTEMS

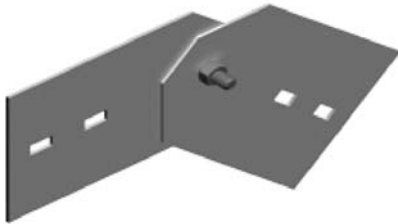
ALUMINIUM LADDERS

NEMA 4 ALUMINIUM SPLICE PLATE



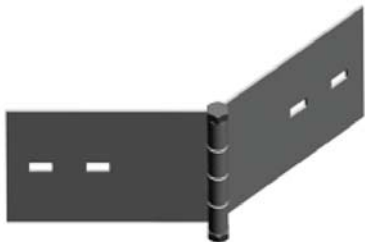
ORDERING CODE
IMPRES ← **IN4S** **AL** → FINISH
NEMA 4 AL ALUMINIUM
SPLICE PLATE

NEMA 4 ALUMINIUM VERTICAL SPLICE PLATE



ORDERING CODE
IMPRES ← **IN4VS** **AL** → FINISH
NEMA 4 AL ALUMINIUM
VERTICAL SPLICE PLATE

NEMA 4 ALUMINIUM HORIZONTAL SPLICE PLATE



ORDERING CODE
IMPRES ← **IN4HS** **AL** → FINISH
NEMA 4 AL ALUMINIUM
HORIZONTAL SPLICE PLATE

NEMA 4 ALUMINIUM DIVIDER STRIP

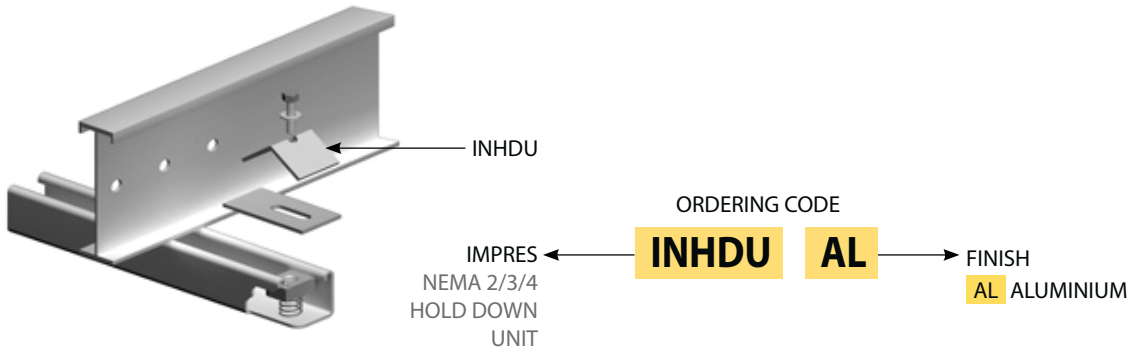


ORDERING CODE
IMPRES ← **IN4DS** **AL** → FINISH
NEMA 4 AL ALUMINIUM
DIVIDER STRIP

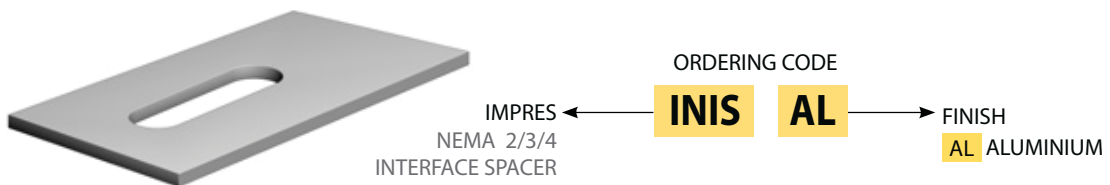
TRAY SYSTEMS

ALUMINIUM LADDERS

NEMA HOLD DOWN UNIT



NEMA ALUMINIUM INSULATION SPACER



NEMA FASTNER & INSULATING KIT

