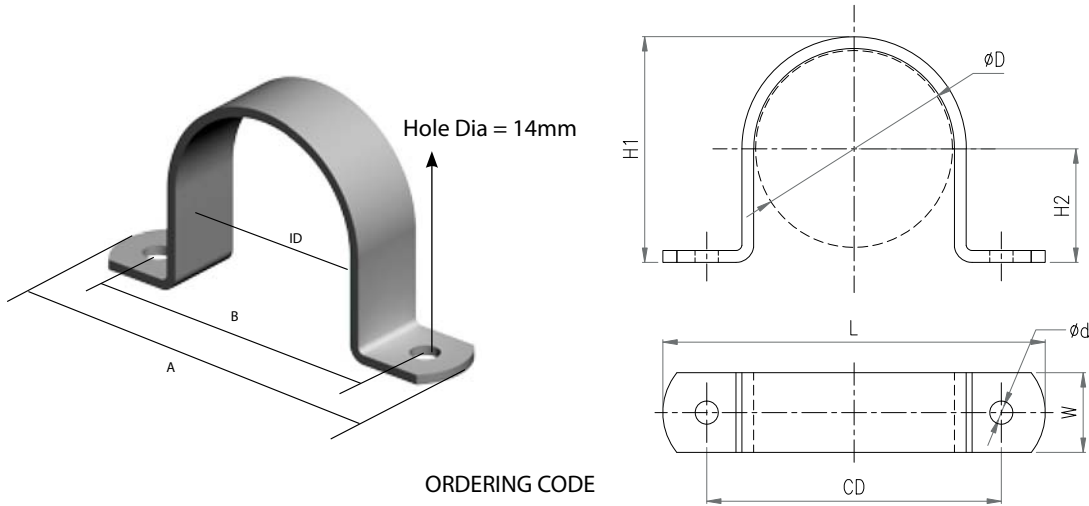


PIPE SUPPORTS

SINGLE SADDLE CLAMP (LIGHT DUTY)



ORDERING CODE

IMPRES ← **ISSC125** **19** **H** → FINISH
 SINGLE SADDLE CLAMP - LIGHT DUTY **H** HOT DIP GAL

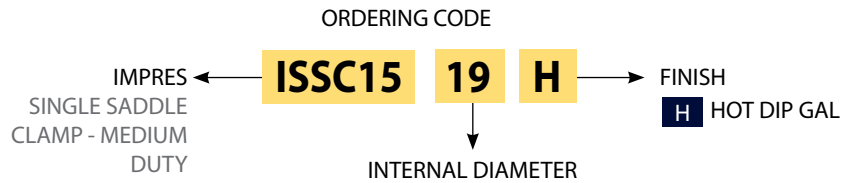
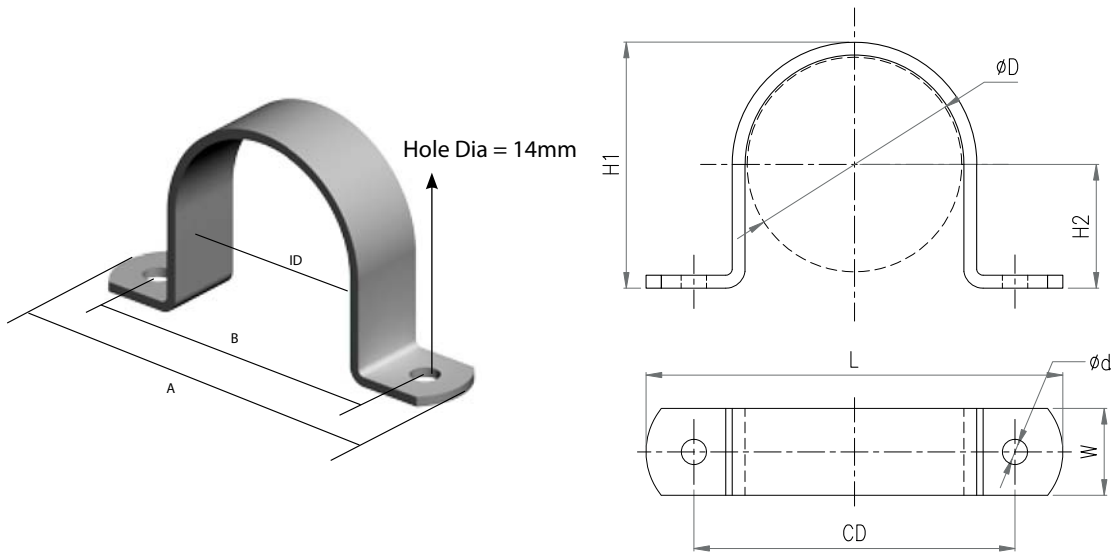
INTERNAL DIAMETER

PART NO	PIPE SIZE	INTERNAL DIMENSION	A	B	H	DIMENSION	BOX QTY
ISSC125-016H	15CU	12.7	78	48	9	25 X 3	100
ISSC125-019H	20CU	20	83	59	9	25 X 3	50
ISSC125-021H	15NB	21	85	61	9	25 X 3	50
ISSC125-025H	25CU	25	89	65	9	25 X 3	50
ISSC125-027H	20NB	27	91	67	9	25 X 3	50
ISSC125-032H	32CU	32	96	72	9	25 X 3	50
ISSC125-034H	25NB	34	98	74	9	25 X 3	50
ISSC125-038H	40CU	38	102	78	9	25 X 3	50
ISSC125-043H	32NB	43	107	83	9	25 X 3	50
ISSC125-048H	40NB	48	112	88	9	25 X 3	50
ISSC125-051H	50CU	51	115	91	9	25 X 3	50
ISSC125-060H	50NB	60	124	100	9	25 X 3	50
ISSC125-064H	65CU	64	128	104	9	25 X 3	25
ISSC125-076H	80CU	76	140	116	9	25 X 3	25
ISSC125-089H	80NB	89	153	129	9	25 X 3	25
ISSC125-102H	100CU	102	166	142	9	25 X 3	25
ISSC125-114H	100NB	115	178	154	9	25 X 3	25
ISSC125-127H	125CU	127	191	167	9	25 X 3	25
ISSC125-140H	125NB	140	204	180	9	25 X 3	25
ISSC125-152H	150CU	152	248	208	14	40 X 6	25
ISSC125-168H	150NB	168	280	240	14	40 X 6	25
ISSC125-220H	200NB	220	332	292	14	40 X 6	-
ISSC125-273H	250NB	273	405	345	18	50 X 6	-
ISSC125-324H	300NB	324	484	424	22	50 X 10	-
ISSC125-355H	350NB	355	515	455	22	65 X 10	-
ISSC125-408H	400NB	408	568	508	26	75 X 10	-

NOTE: Non Standard finish are available upon request and are made-to-order. They cannot be returned once the order is processed.

PIPE SUPPORTS

SINGLE SADDLE CLAMP (MEDIUM DUTY)

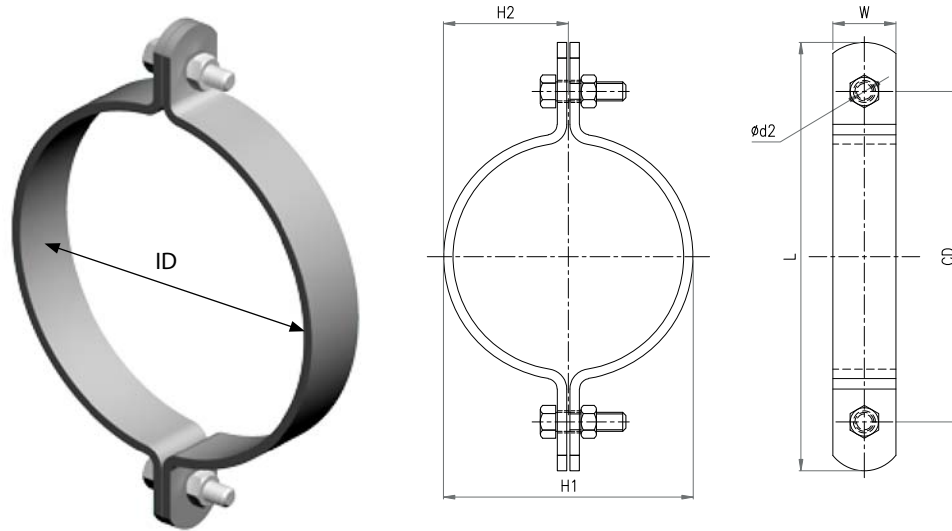


PART NO	PIPE SIZE	INTERNAL DIMENSION	A	B	DIMENSION	BOX QTY
ISSC15-021H	15NB	21	115	75	40 x 5	50
ISSC15-025H	25CU	25	119	79	40 x 5	25
ISSC15-027H	20NB	27	121	81	40 x 5	25
ISSC15-032H	32CU	32	126	86	40 x 5	25
ISSC15-034H	25NB	34	128	88	40 x 5	25
ISSC15-038H	40CU	38	132	92	40 x 5	20
ISSC15-043H	32NB	43	137	97	40 x 5	20
ISSC15-048H	40NB	48	142	102	40 x 5	20
ISSC15-051H	50CU	51	145	105	40 x 5	20
ISSC15-060H	50NB	60	154	114	40 x 5	10
ISSC15-064H	65CU	64	158	118	40 x 5	10
ISSC15-073H	65NB	73	167	127	40 x 5	10
ISSC15-076H	80CU	76	170	130	40 x 5	5
ISSC15-089H	80NB	89	183	143	40 x 5	5
ISSC15-102H	102CU	102	196	156	40 x 5	5
ISSC15-114H	100NB	114	210	170	40 x 6	5
ISSC15-140H	125NB	140	236	196	40 x 6	5
ISSC15-152H	152CU	152	248	208	40 x 6	5
ISSC15-168H	150NB	168	261	221	40 x 6	5
ISSC15-203H	200CU	203	299	259	40 x 6	5
ISSC15-219H	200NB	219	315	275	40 x 6	5

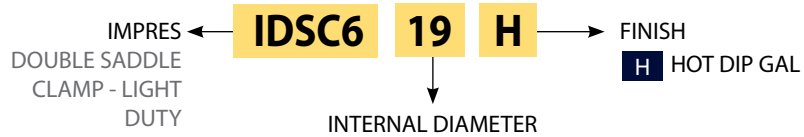
NOTE: Non Standard finish are available upon request and are made-to-order. They cannot be returned once the order is processed.

PIPE SUPPORTS

DOUBLE SADDLE CLAMP (LIGHT DUTY)



ORDERING CODE

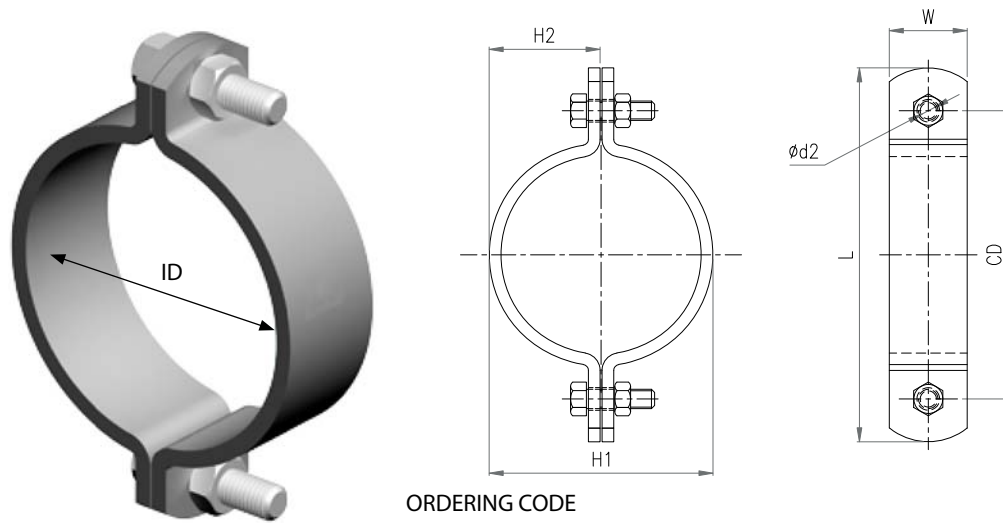


PART NO	PIPE SIZE	INTERNAL DIMENSION	DIMENSION	ROD DIMENSION	BOXED QTY
IDSC6-019H	20CU	19	20 x 3	M6 x 25	50
IDSC6-021H	15NB	21	20 x 3	M6 x 25	50
IDSC6-025H	25CU	25	20 x 3	M6 x 25	50
IDSC6-027H	20NB	27	20 x 3	M6 x 25	50
IDSC6-032H	32CU	32	20 x 3	M6 x 25	50
IDSC6-034H	25NB	34	20 x 3	M6 x 25	50
IDSC6-038H	40CU	38	20 x 3	M6 x 25	25
IDSC6-043H	32NB	43	20 x 3	M6 x 25	25
IDSC6-048H	40NB	48	20 x 3	M6 x 25	25
IDSC6-051H	50CU	51	20 x 3	M6 x 25	25
IDSC6-060H	50NB	60	20 x 3	M6 x 25	25
IDSC6-064H	65CU	64	20 x 3	M6 x 25	25
IDSC6-073H	65NB	73	20 x 3	M6 x 25	25
IDSC6-076H	80CU	76	20 x 3	M6 x 25	25
IDSC6-089H	80NB	89	20 x 3	M6 x 25	20
IDSC6-102H	102CU	102	20 x 3	M6 x 25	20
IDSC6-114H	100NB	114	25 x 5	M8 x 30	20
IDSC6-127H	125CU	127	25 x 5	M8 x 30	20
IDSC6-140H	125NB	140	25 x 5	M8 x 30	20
IDSC6-152H	150CU	152	25 x 5	M8 x 30	10
IDSC6-165H	150NB	165	25 x 5	M8 x 30	10

NOTE: Non Standard finish are available upon request and are made-to-order. They cannot be returned once the order is processed.

PIPE SUPPORTS

DOUBLE SADDLE CLAMP (MEDIUM DUTY)



ORDERING CODE

IMPRES ← **IDSC16** **19** **H** → FINISH
 DOUBLE SADDLE CLAMP - MEDIUM DUTY **H** HOT DIP GAL
 INTERNAL DIAMETER

PART NO	PIPE SIZE	INTERNAL DIMENSION	DIMENSION	ROD DIMENSION	BOXED QTY
IDSC16-48H	40NB	48	40 x 6	M12 x 45	10
IDSC16-51H	50CU	51	40 x 6	M12 x 45	10
IDSC16-60H	50NB	60	40 x 6	M12 x 45	10
IDSC16-64H	65CU	64	40 x 6	M12 x 45	10
IDSC16-73H	65NB	73	40 x 6	M12 x 45	10
IDSC16-76H	80CU	76	40 x 6	M12 x 45	10
IDSC16-83H	83NS	83	40 x 6	M12 x 45	10
IDSC16-89H	80NB	89	40 x 6	M12 x 45	10
IDSC16-102H	100CU	102	40 x 6	M12 x 45	10
IDSC16-115H	100NB	115	40 x 6	M12 x 45	10
IDSC16-127H	125CU	127	40 x 6	M12 x 45	5
IDSC16-140H	125NB	140	40 x 6	M12 x 45	5
IDSC16-152H	152CU	152	40 x 6	M12 x 45	5
IDSC16-168H	150NB	168	40 x 6	M12 x 45	5
IDSC16-175H	175NS	175	40 x 6	M12 x 45	5
IDSC16-190H	190NS	190	40 x 6	M12 x 45	5
IDSC16-203H	200CU	203	40 x 6	M12 x 45	5
IDSC16-220H	200NB	220	40 x 6	M12 x 45	5
IDSC16-228H	228NS	228	40 x 6	M12 x 45	5
IDSC16-240H	240NS	240	40 x 6	M12 x 45	5
IDSC16-252H	250CU	252	40 x 6	M12 x 45	5
IDSC16-275H	250NB	275	40 x 6	M12 x 45	5
IDSC16-304H	300CU	304	40 x 6	M12 x 45	5
IDSC16-315H	315NS	315	40 x 6	M12 x 45	5
IDSC16-324H	300NB	324	40 x 6	M12 x 45	5

NOTE: Non Standard finish are available upon request and are made-to-order. They cannot be returned once the order is processed.