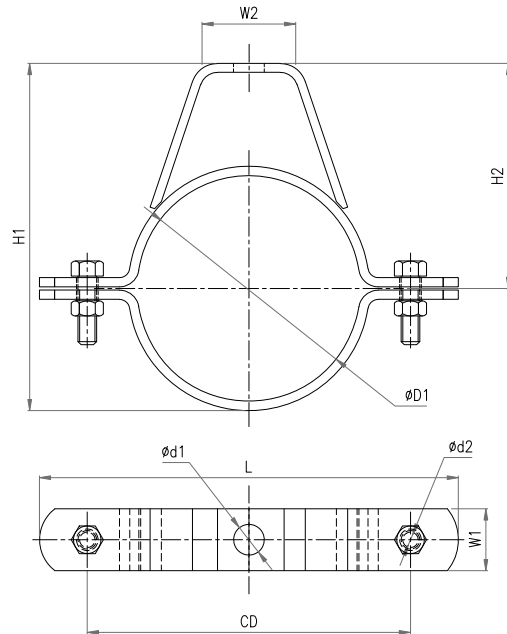
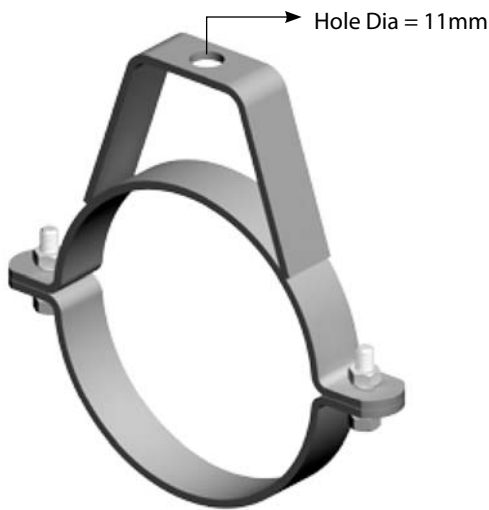


PIPE SUPPORTS

YOKE CLAMPS (LIGHT DUTY)



ORDERING CODE

IMPRES ← **IYC8** **19** **H** → FINISH
 YOKE CLAMP LIGHT DUTY **H** HOT DIP GAL

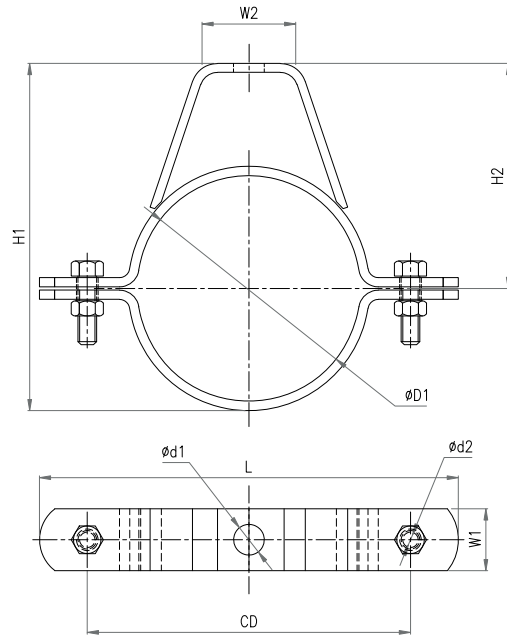
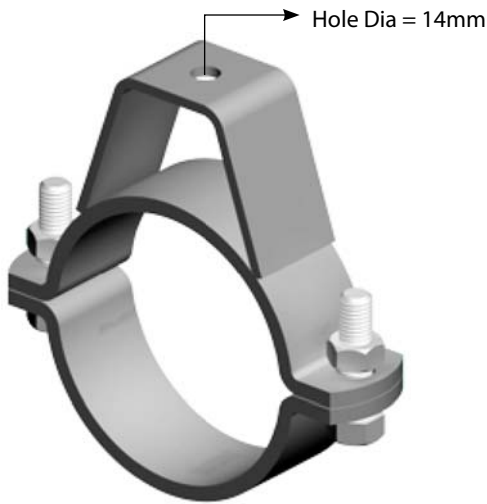
INTERNAL DIAMETER

PART NO	PIPE SIZE	INTERNAL DIAMETER	DIMENSIONS	BOLT DIMENSIONS	BOX QTY
IYC8-019H	20CU	19	20 x 3	M6 x 25	25
IYC8-021H	15NB	21	20 x 3	M6 x 25	25
IYC8-025H	25CU	25	20 x 3	M6 x 25	25
IYC8-027H	20NB	27	20 x 3	M6 x 25	25
IYC8-032H	32CU	32	20 x 3	M6 x 25	25
IYC8-034H	25NB	34	20 x 3	M6 x 25	25
IYC8-038H	40CU	38	20 x 3	M6 x 25	20
IYC8-043H	32NB	43	20 x 3	M6 x 25	20
IYC8-048H	40NB	48	20 x 3	M6 x 25	20
IYC8-051H	50CU	51	20 x 3	M6 x 25	20
IYC8-060H	50NB	60	20 x 3	M6 x 25	20
IYC8-064H	65CU	64	20 x 3	M6 x 25	20
IYC8-073H	65NB	73	20 x 3	M6 x 25	20
IYC8-076H	80CU	76	20 x 3	M6 x 25	20
IYC8-089H	80NB	89	20 x 3	M6 x 25	20
IYC8-102H	102CU	102	20 x 3	M6 x 25	20
IYC8-115H	115NB	115	25 x 3	M6 x 25	20
IYC8-127H	125CU	127	25 x 5	M8 x 30	10
IYC8-140H	125NB	140	25 x 5	M8 x 30	10
IYC8-152H	150CU	152	25 x 5	M8 x 30	10
IYC8-165H	150NB	168	25 x 5	M8 x 30	10

NOTE: Non Standard finish are available upon request and are made-to-order. They cannot be returned once the order is processed.

PIPE SUPPORTS

YOKE CLAMPS (MEDIUM DUTY)



ORDERING CODE

IMPRES ← **IYC18** **19** **H** → FINISH
 YOKE CLAMP
 MEDIUM DUTY
 ↓
 INTERNAL DIAMETER
H HOT DIP GAL

PART NO	PIPE SIZE	INTERNAL DIAMETER	DIMENSIONS	BOLT DIMENSIONS	BOX QTY
IYC18-060H	50NB	60	40 x 6	M12 x 45	10
IYC18-064H	64CU	64	40 x 6	M12 x 45	10
IYC18-076H	80CU	76	40 x 6	M12 x 45	10
IYC18-083H	83NS	83	40 x 6	M12 x 45	10
IYC18-089H	80NB	89	40 x 6	M12 x 45	10
IYC18-102H	100CU	102	40 x 6	M12 x 45	10
IYC18-115H	125NB	125	40 x 6	M12 x 45	5
IYC18-127H	125CU	127	40 x 6	M12 x 45	5
IYC18-140H	125NB	140	40 x 6	M12 x 45	5
IYC18-152H	152CU	152	40 x 6	M12 x 45	5
IYC18-168H	150NB	168	40 x 6	M12 x 45	5
IYC18-175H	175NS	175	40 x 6	M12 x 45	5
IYC18-190H	190NS	190	40 x 6	M12 x 45	5
IYC18-203H	200CU	203	40 x 6	M12 x 45	5
IYC18-220H	200NB	220	40 x 6	M12 x 45	5
IYC18-228H	228NB	228	40 x 6	M12 x 45	5
IYC18-240H	240NS	240	40 x 6	M12 x 45	5
IYC18-252H	250CU	252	40 x 6	M12 x 45	5
IYC18-275H	250NB	275	40 x 6	M12 x 45	5

NOTE: Non Standard finish are available upon request and are made-to-order. They cannot be returned once the order is processed.